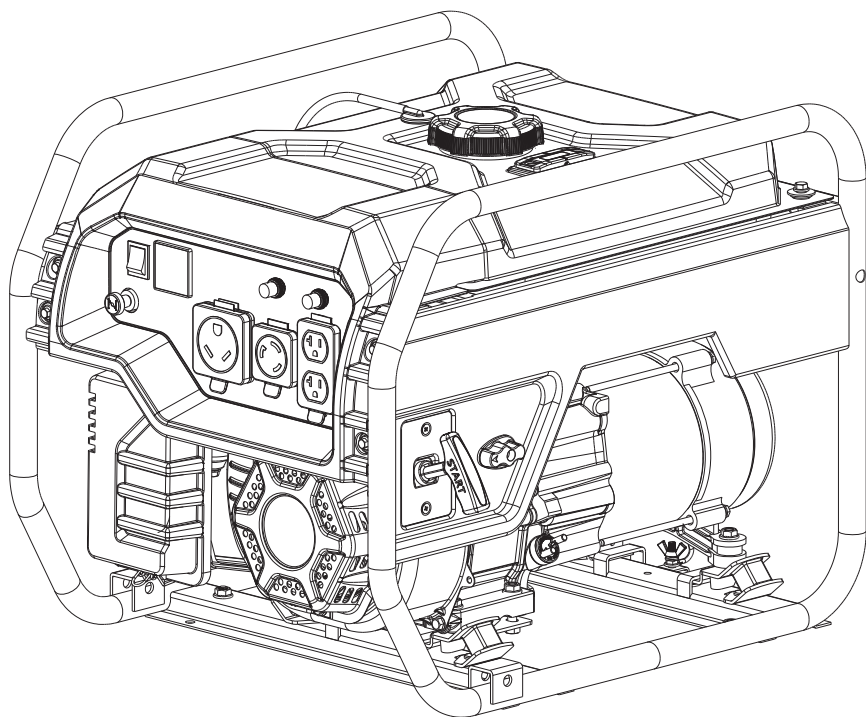




MODEL #BD100618



PARTS INFORMATION

3500W PORTABLE GENERATOR

SERIAL NUMBER RANGE: ALL

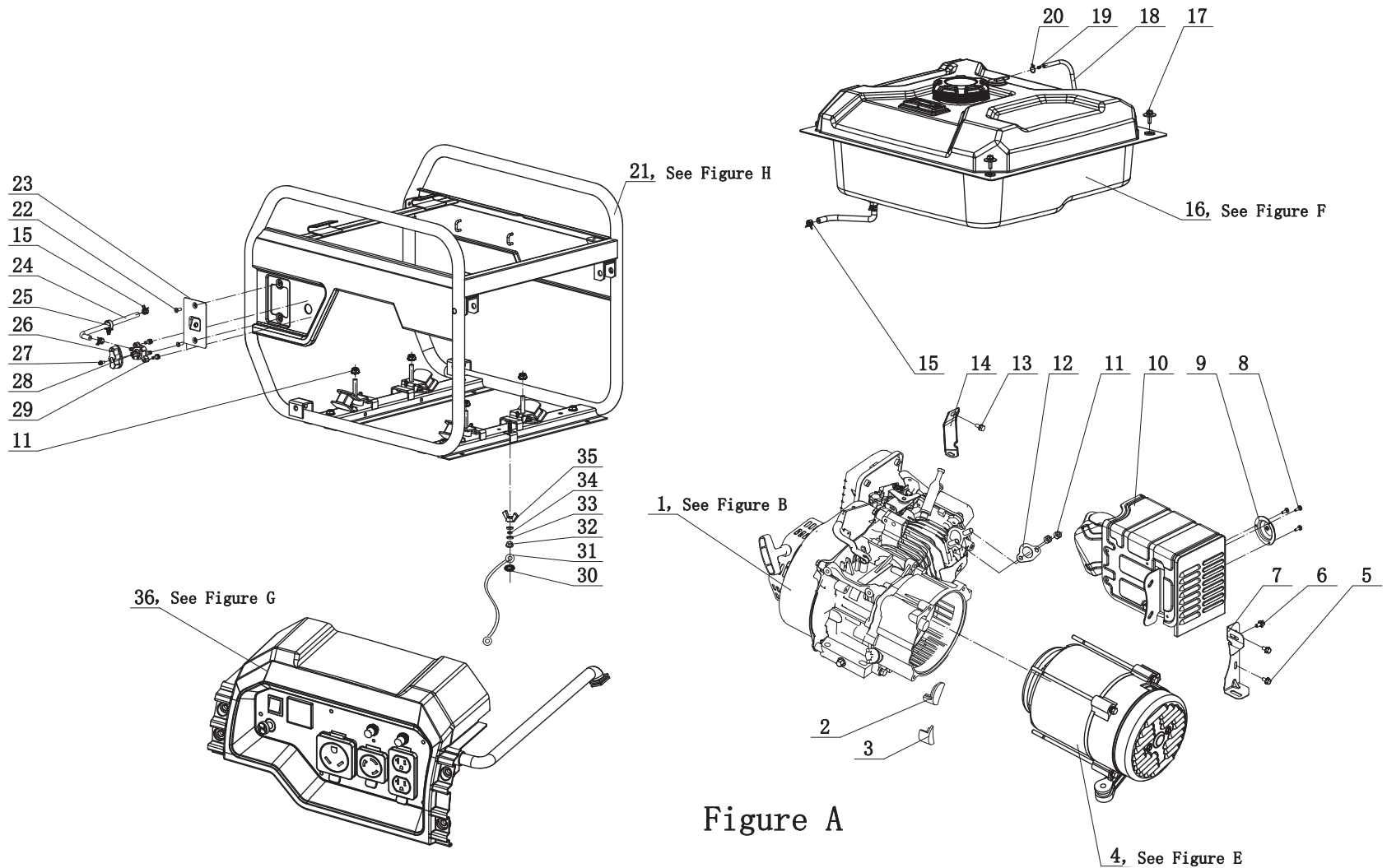
An icon depicting a person wearing a headset and holding a wrench, with an arrow pointing to a box, symbolizing customer support or parts ordering.

To order replacement parts please call:
1-888-373-8272.

TABLE OF CONTENTS

Generator Parts Diagram	3
Generator Parts List	4
Engine Parts Diagram	5
Engine Parts List	6
Cylinder Head Diagram	8
Cylinder Head Parts List	9
Alternator Diagram	10
Alternator Parts List	11
Fuel Tank Diagram	12
Fuel Tank Parts List	13
Control Panel Diagram	14
Control Panel Parts List	15
Frame Diagram	16
Frame Parts List	17
Wiring Diagram	18

GENERATOR PARTS DIAGRAM

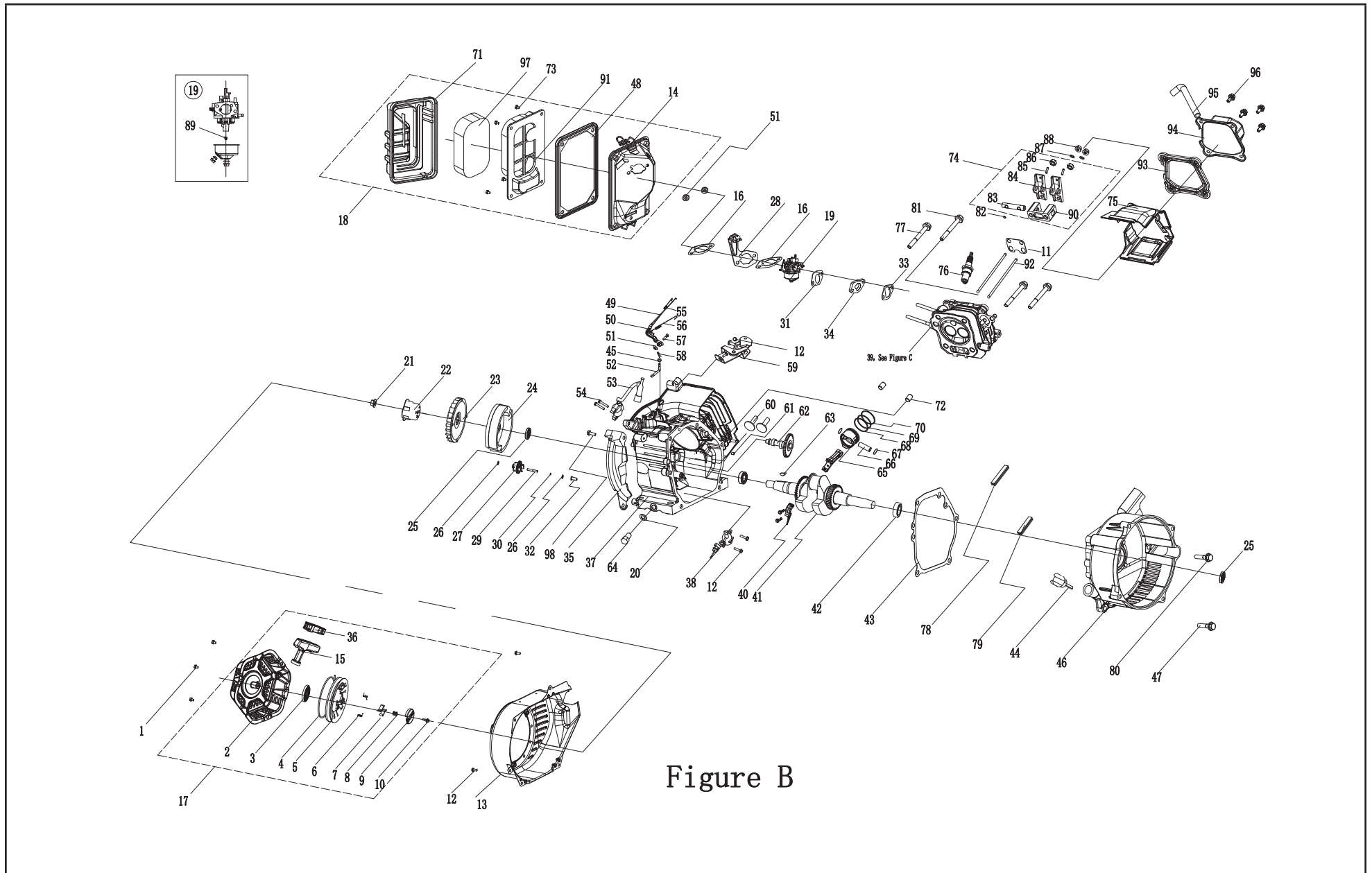


GENERATOR PARTS LIST

#	Part Number	Description	Qty.
1	27.408.2	Engine, 224cc, See Figure B	1
2	122.190005.00	Rubber, Fore-Cover, B	1
3	122.190005.01	Rubber, Fore-Cover, A	1
4	124.190000.02	Alternator Assembly, Al, Ø160 x 130 mm, CSA, See Figure E	1
5	1.5789.0620	Flange Bolt M6 x 20	2
6	1.5789.0615	Flange Bolt M6 x 15	1
7	27.100100.01	Bracket, Muffler	1
8	1.823.0406	Screw M4 x 6	3
9	27.101300.00	Spark Arrester Assembly	1
10	27.101000.04.2	Muffler Assembly, Black	1
11	1.6177.1.08	Lock Nut M8, Flange	6
12	26.100001.00	Gasket, Exhaust	1
13	1.5789.0608	Flange Bolt M6 x 8	1
14	23.090006.21	Holder, Air Cleaner	1
15	2.06.016	Clamp Ø8.7 x b8	3
16	122.070000.63.2	Fuel Tank Assembly, See Figure F	1
17	2.08.143.1	Flange Bolt/Washer Assembly M6 x 20, Black	2
18	122.070014.02	Pipe, Reversal Valve, 670mm	1
19	24.070030.00	Hole, Breather Tube	1
20	2.06.006	Clamp Ø7 x Ø1	1
21	62399.100618	Frame, 625 x 488 x 492, See Figure H	1
22	1.819.0510	Screw M5 x 10	2
23	46.061200.00.2	Guide Plate, Rope, Black	1
24	122.070011.18	Fuel Pipe, 335 + 25mm	1
25	2.05.009	Clamp Ø12.5 x 7	1
26	122.070001.00	Knob, Fuel Valve	1
27	1.9074.4.0414.1	Screw/Washer Assembly M4 x 14, Black	1
28	83.070400.01.0	Fuel Valve	1
29	1.9074.1.0520	Screw Assembly M5 x 20	2

#	Part Number	Description	Qty.
30	1.862.06	Lock Washer Ø6, Toothed	1
31	5.1900.029	Grounding Line 150mm	1
32	1.6177.1.06	Lock Nut M6, Flange	1
33	1.97.1.06.2	Washer Ø6	2
34	1.93.06.2	Lock Washer Ø6	1
35	1.62.06	Butterfly Type Nut M6	1
36	100618.21	Control Panel Assembly, See Figure G	1

ENGINE PARTS DIAGRAM



ENGINE PARTS LIST

#	Part Number	Description	Qty.
1	1.16674.0608	Flange Bolt M6 x 8	3
2	27.061100.01.2	Cover, Recoil Starter, Black	1
3	21.061005.00	Spring, Recoil Starter	1
4	2.10.003.1	Rope Ø4 x 1550, Black	1
5	21.061001.01	Reel, Recoil Starter	1
6	45.060003.00	Spring, Ratchet	2
7	45.060002.00	Starter Ratchet, Steel	2
8	45.060009.00	Spring, Ratchet Guide	1
9	45.060007.00	Ratchet Guide	1
10	45.060008.00	Screw, Ratchet Guide	1
11	24.040004.00	Guide Plate, Push Rod	1
12	1.5789.0612	Flange Bolt M6 x 12	8
13	27.080100.02.2	Fan Cover, Black	1
14	85.091100.01	Base, Air Cleaner	1
15	21.061006.02	Handle, Recoil, Soft	1
16	24.130004.20	Gasket, Air Cleaner	2
17	27.061000.01	Recoil Assembly	1
18	27.091000.11	Air Cleaner Assembly	1
19	27.131000.17	Carburetor	1
20	2.03.016	Washer Ø10 x Ø16 x 1.5, Drain Bolt	1
21	2.02.006	Nut M14 x 1.5	1
22	23.060001.01	Pulley, Starter	1
23	27.080001.00	Cooling Fan	1
24	24.120100.06	Flywheel	1
25	2.11.001	Oil Seal Ø25 x Ø41.3 x 6	2
26	2.03.020.1	Washer Ø6.2 x Ø15 x 0.5, Black	2
27	21.110100.00	Gear, Governor	1
28	85.130200.01	Support, Choker Rod	1
29	21.110013.00	Shaft, Governor Gear	1
30	21.110011.00	Clip, Governor Gear	1

#	Part Number	Description	Qty.
31	22.130003.00	Gasket, Carburetor	1
32	21.110012.01	Bushing, Governor Gear, Steel	1
33	24.130002.00	Gasket, Insulator	1
34	27.130001.00	Insulator, Carburetor	1
35	23.080600.00	Air Guide, Right Side	1
36	21.061301.01	Support, Handle, Recoil	1
37	27.030100.01	Crankcase	1
38	21.127000.02	Oil Level Sensor	1
39	27.010000.00	Cylinder Head Assembly, See Figure C	1
40	27.050200.00	Connecting Rod	1
41	27.050100.00	Crankshaft	1
42	1.276.6205	Bearing 6205	2
43	24.030008.00	Gasket, Crankcase Cover	1
44	22.031000.00	Oil Dipstick Assembly	1
45	2.03.021.1	Washer Ø6.4 x Ø13 x 1, Black	1
46	27.030007.01	Cover, Crankcase	1
47	1.5789.0832	Flange Bolt M8 x 32	5
48	23.091002.21	Seal, Air Cleaner	1
49	23.110006.00	Rod, Governor	1
50	27.110003.00	Arm, Governor	1
51	1.6177.06	Flange Nut M6	3
52	21.110001.00	Shaft, Governor Arm	1
53	22.123000.02	Ignition Coil	1
54	1.5789.0625	Flange Bolt M6 x 25	2
55	23.110005.01	Spring, Throttle Return	1
56	23.110007.00	Spring, Governor	1
57	2.08.040	Bolt M6x21, Governor Arm	1
58	21.110008.00	Pin, Shaft	1
59	27.111000.20	Control Assembly	1
60	25.040013.00	Lifter, Valve	2

#	Part Number	Description	Qty.
61	2.04.001	Dowel Pin Ø9 x 14	2
62	27.041000.00	Camshaft	1
63	2.14.012	Woodruff Key, 4 x 7.5 x 19	1
64	2.08.037	Drain Bolt M10 x 1.25 x 25	1
65	27.050005.00	Piston	1
66	23.050003.00	Pin, Piston	1
67	2.09.001	Circlip Ø18 x Ø1	2
68	27.050303.00	Ring, Oil	1
69	27.050302.00	Ring, Second Piston	1
70	27.050301.00	Ring, First Piston	1
71	27.091200.11	Cover, Air Cleaner	1
72	2.04.003	Dowel Pin Ø10 x 14	2
73	2.08.166	Flange Bolt M5×12	4
74	24.040200.00	Rocker Arm Assembly	1
75	27.080200.00	Air Shroud, Cylinder	1
76	2.15.002(F6RTC)	Spark Plug F6RTC	1
77	1.5789.0865	Flange Bolt M8 x 65	3
78	27.030013.00	Seal Strip, Crankcase Cover, Long	1
79	27.030013.01	Seal Strip, Crankcase Cover, Short	1
80	1.5789.0840	Flange Bolt M8 x 40	1
81	2.08.121	Flange Bolt M10 x 65	1
82	21.040008.00	Rotator, Exhaust Valve	1
83	24.040202.00	Shaft, Rocker Arm	1
84	22.040009.00	Rocker Arm	2
85	22.040012.00	Screw, Valve Adjustment	2
86	21.040021.00	Nut M6 x 0.5, Lock	2
87	1.97.1.06	Washer Ø6	2
88	1.6177.1.06	Flange Nut M6	2
89	27.131017.01	Main Jet (#81.5), Standard	1
	27.131017.01.01	Main Jet (#79.5, Altitude	/
90	24.040201.00	Retainer, Rocker Arm	1
91	23.091001.21	Separator, Air Cleaner	1

#	Part Number	Description	Qty.
92	27.040005.00	Push Rod	2
93	21.020002.01	Gasket, Cylinder Head Cover	1
94	24.021000.00	Cover, Cylinder Head	1
95	23.020001.02	Breather Tube, 112 + 35 mm	1
96	1.5789.0615	Flange Bolt M6 x 15	4
97	23.091003.21	Element, Air Cleaner	1
98	1.5789.0620	Flange Bolt M6 x 20	1

CYLINDER HEAD DIAGRAM

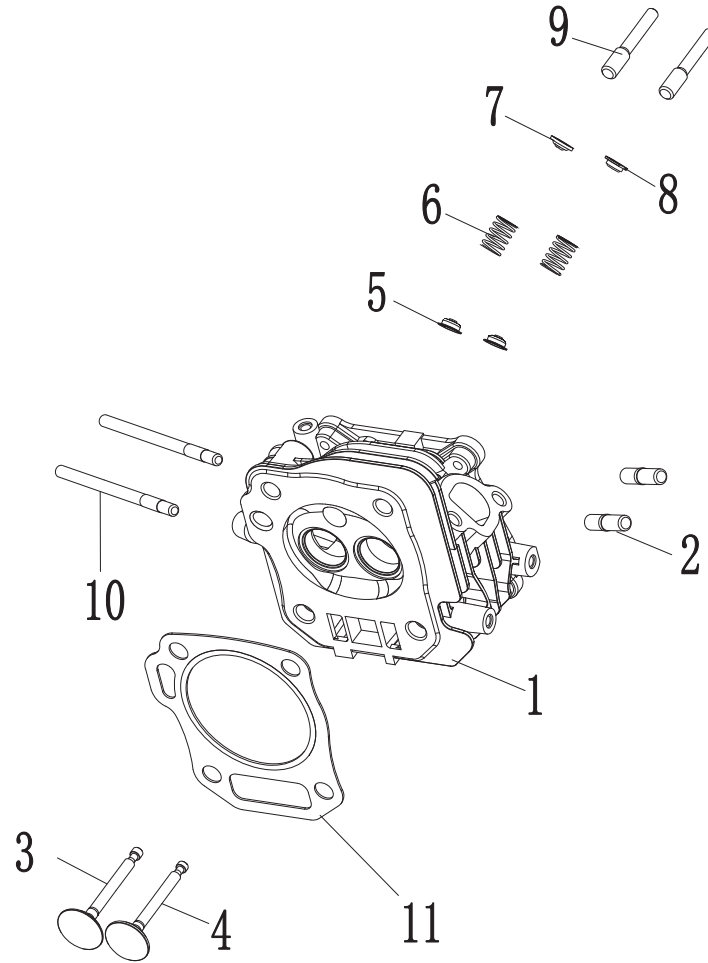


Figure C

CYLINDER HEAD PARTS LIST

#	Part Number	Description	Qty.
1	26.010100.01	Cylinder Head, 224cc	1
2	2.01.010	Stud Bolt M8 x 35	2
3	23.040002.02	Valve, Intake	1
4	23.040006.02	Valve, Exhaust	1
5	23.040017.00	Oil Seal, Valve, Steel	2
6	21.040003.00	Spring, Valve	2
7	21.040007.00	Retainer, Exhaust Valve Spring	1
8	21.040001.00	Retainer, Intake Valve Spring	1
9	23.040010.00	Bolt, Rocker Arm	2
10	2.01.003	Stud Bolt M6 x 90	2
11	27.030009.01	Gasket, Cylinder Head	1

ALTERNATOR DIAGRAM

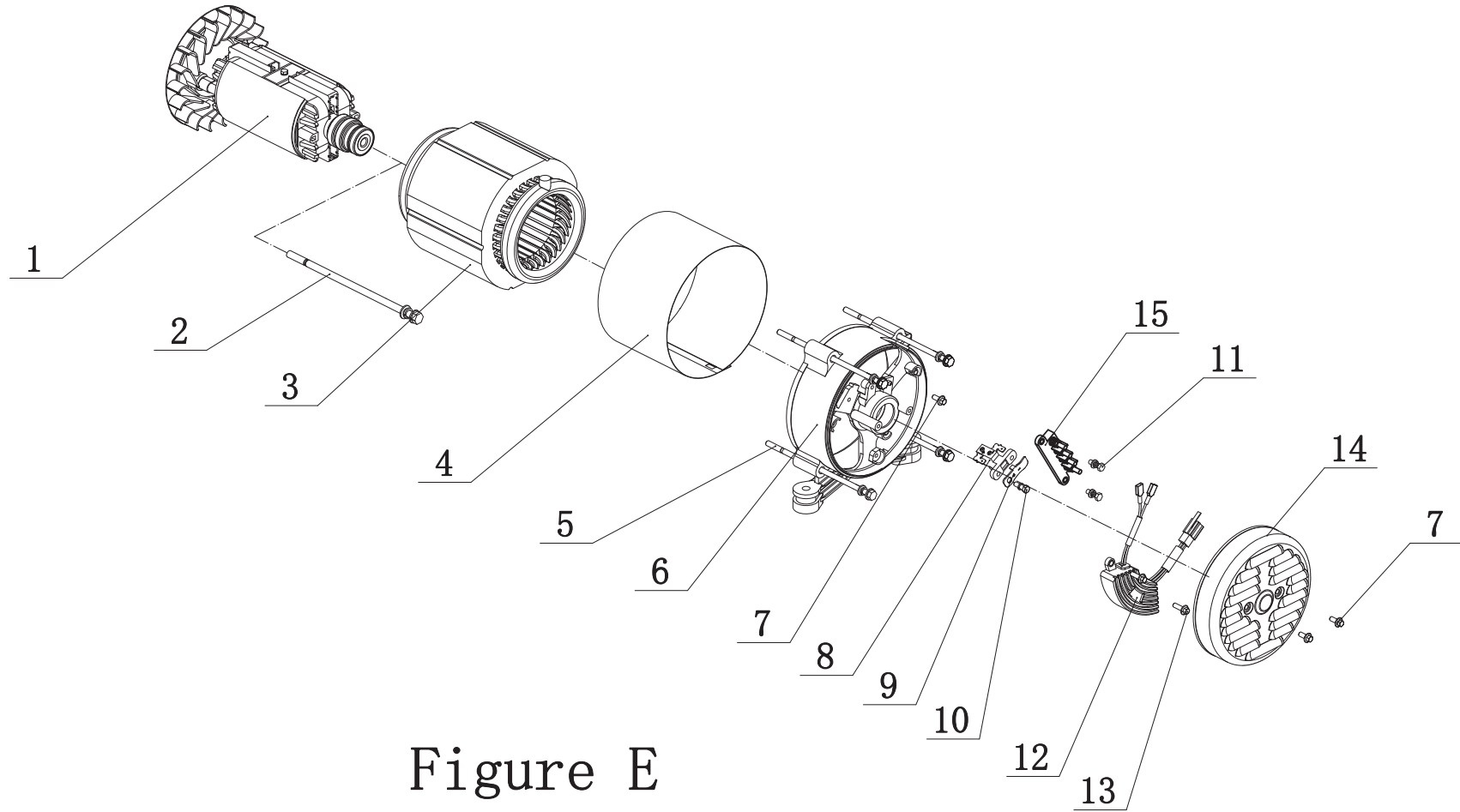


Figure E

ALTERNATOR PARTS LIST

#	Part Number	Description	Qty.
1	124.191100.02	Rotor Assembly, Al, Ø160 x 130 mm, CSA	1
2	2.08.109	Flange Bolt/Washer Assembly M8 x 252	1
3	124.191200.02	Stator Assembly, Al, Ø160 x 130 mm, CSA	1
4	124.191002.01.2	Stator Cover, Black	1
5	2.08.032	Flange Bolt/Washer Assembly M6 x 179	4
6	122.190002.00	End Housing	1
7	1.16674.0512.2	Flange Bolt M5 x 12	3
8	122.190300.00	Carbon Brush Assembly	1
9	122.190004.01	Pinch, Carbon Brush	1
10	1.9074.15.0520	Bolt/Washer Assembly M5 x 20	1
11	1.9074.17.0516	Screw/Washer Assembly M5 x 16	2
12	122.190200.03	AVR	1
13	1.16674.0516	Flange Bolt M5 x 16	2
14	122.190003.00.2	Generator End Cover, Black	1
15	122.190400.02	Terminal Block	1

FUEL TANK DIAGRAM

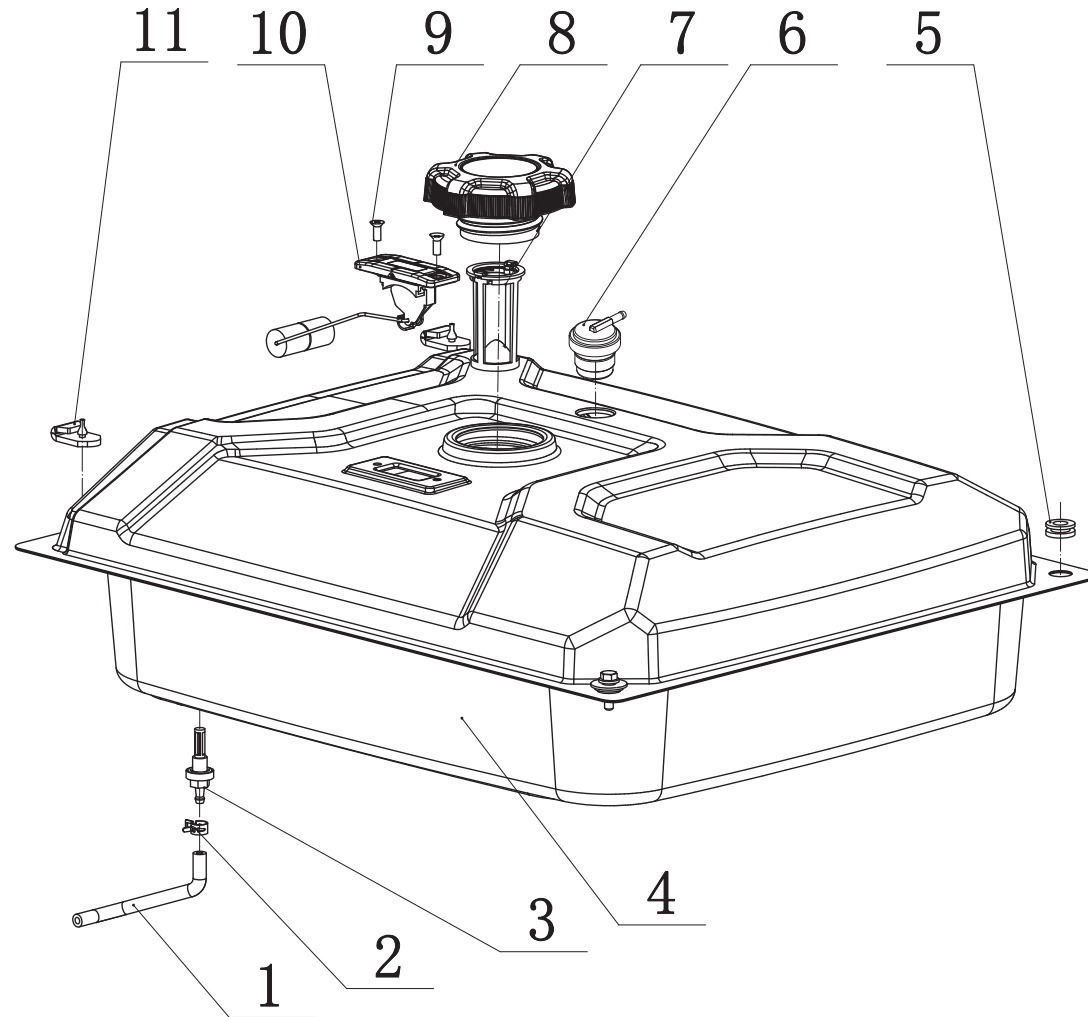


Figure F

FUEL TANK PARTS LIST

#	Part Number	Description	Qty.
1	122.070011.17	Fuel Pipe, 100 + 25mm	1
2	2.06.016	Clamp Ø8.7 x b8	1
3	21.070600.03	Fitting, Fuel Tank with Filter	1
4	122.071000.63.2	Fuel Tank, 19L, Black	1
5	122.070015.01	Mount Vibration, Fuel Tank	2
6	152.070800.00	Reversal Valve	1
7	122.070300.03	Fuel Filter	1
8	122.070100.09	Fuel Tank Cap	1
9	1.819.0510	Screw M5 x 10	2
10	171.072000.01	Fuel Level Assembly	1
11	152.070024.01	Mount Vibration, Fuel Tank	2

CONTROL PANEL DIAGRAM

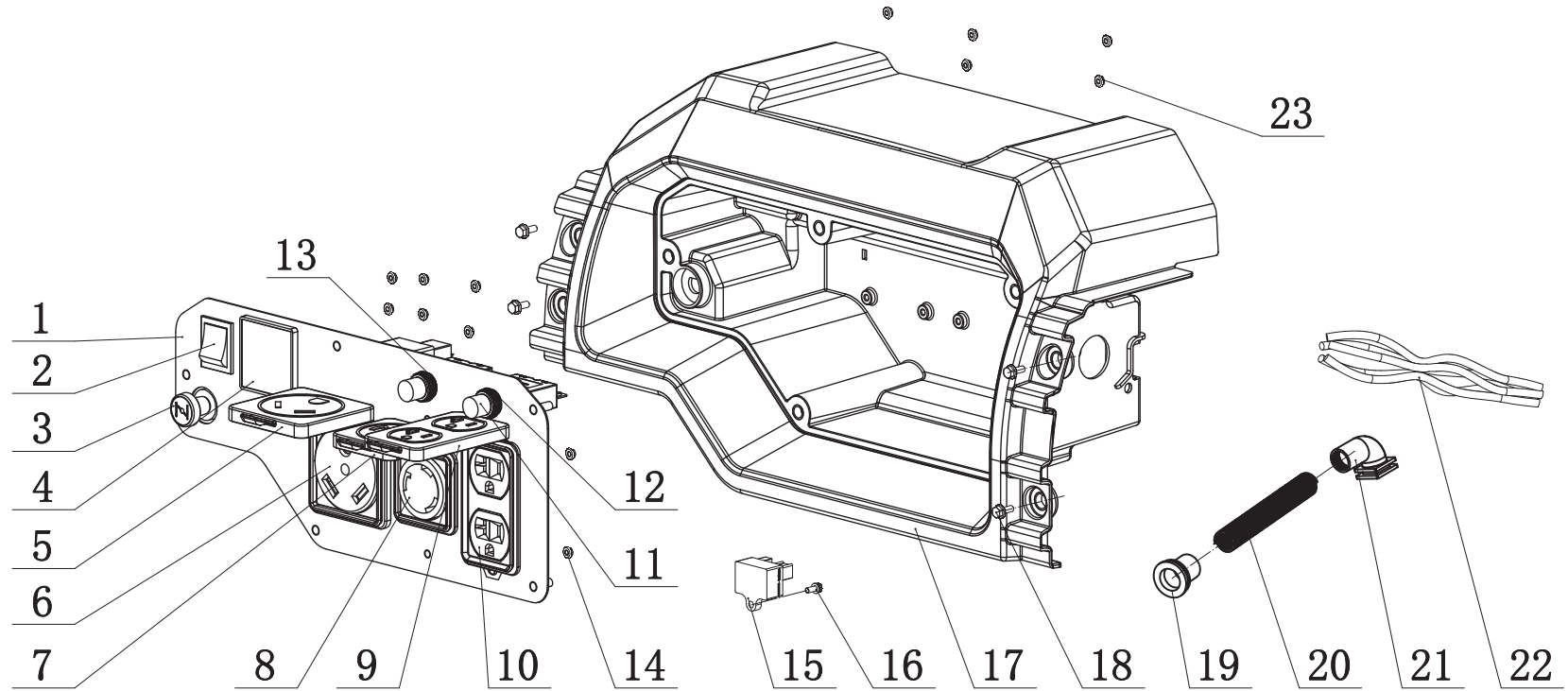


Figure G

CONTROL PANEL PARTS LIST

#	Part Number	Description	Qty.
1	122.25.1.2	Control Panel, Black	1
2	5.1000.004.3	Ignition Switch, Red	1
3	152.130200.00	Pull Choke Assembly	1
4	5.1430.008.99	Intelligauge, VFT-2	1
5	5.1870.021	Receptacle Cover, TT-30R	1
6	5.1120.036	Receptacle TT-30R	1
7	5.1870.023	Receptacle Cover, L5-30R	1
8	5.1120.023	Receptacle L5-30R, CSA	1
9	5.1870.025	Receptacle Cover, 5-20R	1
10	5.1120.027	Receptacle, 5-20R, CSA	1
11	5.1870.014	Circuit Breaker Cover, Push Button	2
12	5.1210.920	20Amp Circuit Breaker, Push Button, CSA	1
13	5.1210.930	30Amp Circuit Breaker, Push Button, CSA	1
14	1.6177.1.04.1	Lock Nut M4, Flange, Black	8
15	5.1810.000	Over Voltage Protector, CSA	1
16	1.818.0514.2	Screw M5 x 14	1
17	122.210002.62.29	Control Panel Housing, Cool Gray 11C	1
18	1.5789.0615.1	Flange Bolt M6 x 15, Black	4
19	122.210003.02	Wire Jacket, Control Box	1
20	5.1330.018	Sheath, Wire, Ø16 x 250 mm	1
21	122.210003.04	Plug, End Cover	1
22	100618.21.10	Wire Assembly	1
23	1.6177.1.05	Lock Nut M5, Flange	5

FRAME DIAGRAM

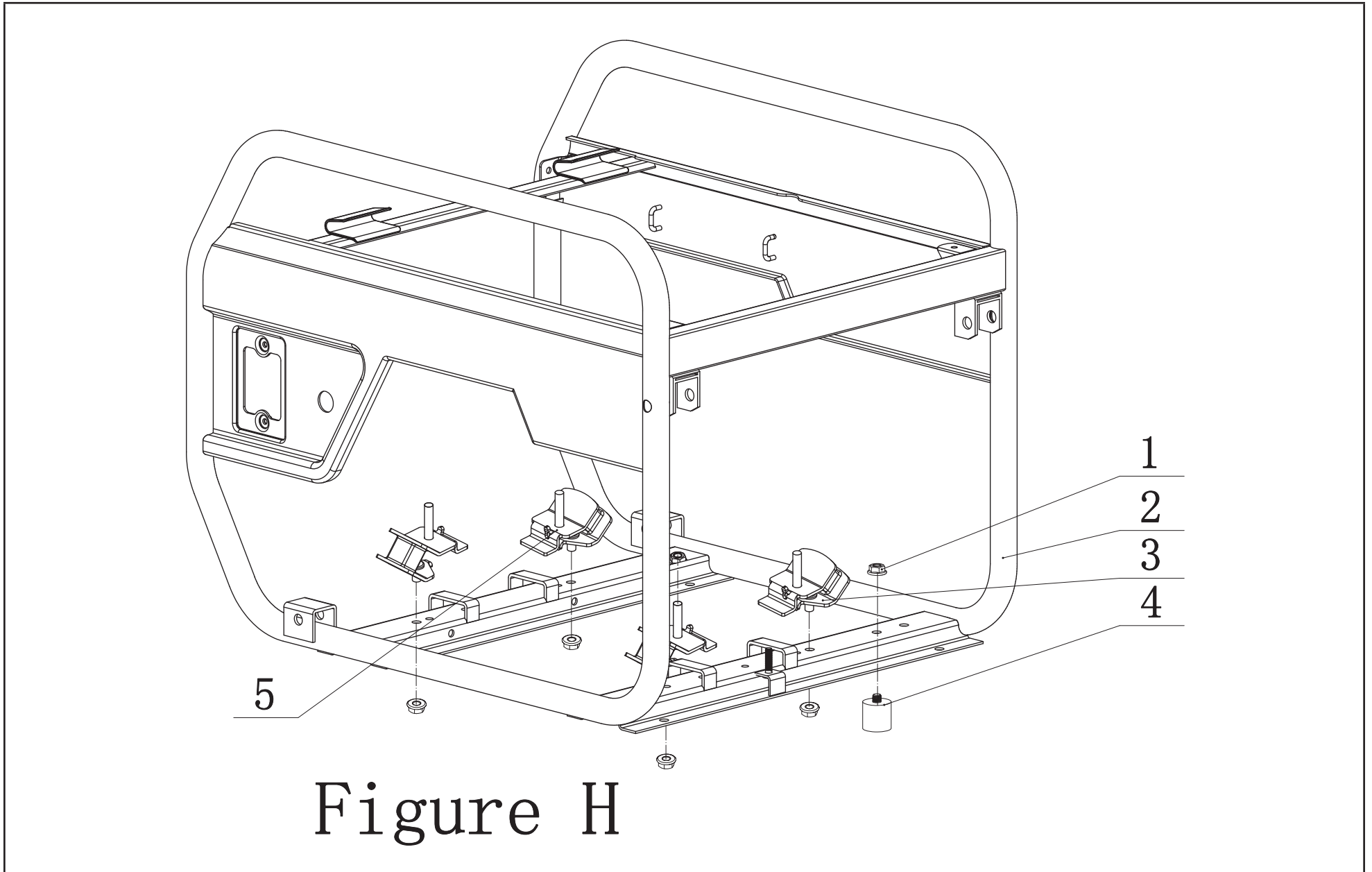


Figure H

FRAME PARTS LIST

#	Part Number	Description	Qty.
1	1.6177.1.08	Lock Nut M8, Flange	8
2	62399.29.16.2	Frame, 625 x 488 x 492	1
3	122.201200.06	Motor Mount 1	2
4	122.201400.01	Rubber, Support	4
5	122.201200.07	Motor Mount 2	2

WIRING DIAGRAM

