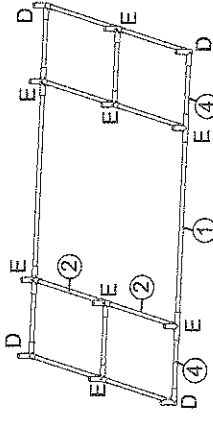
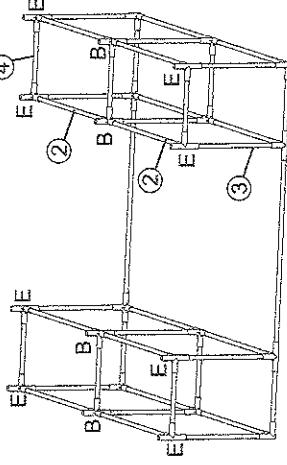


NO.	Picture	QTY
①		3
②		30
③		32
④		20
⑤		6
⑥		8
⑦		1
A		4
B		6
C		2
D		6
E		26
H		1
J		2

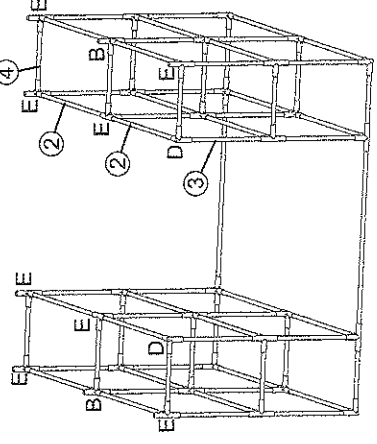
1



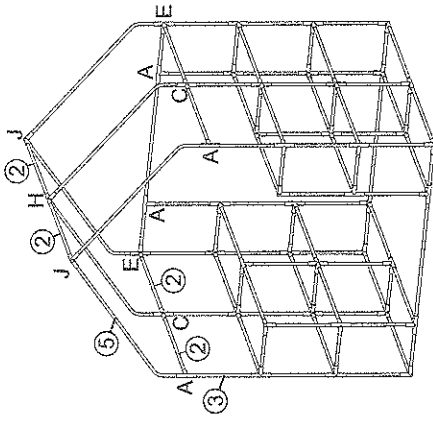
2



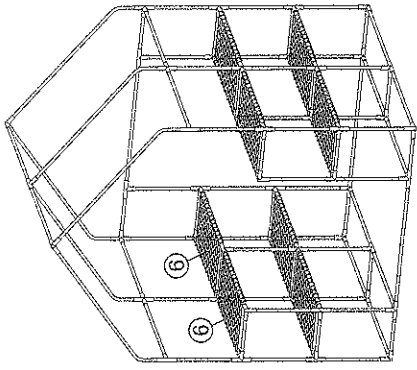
3



4



5



6

