

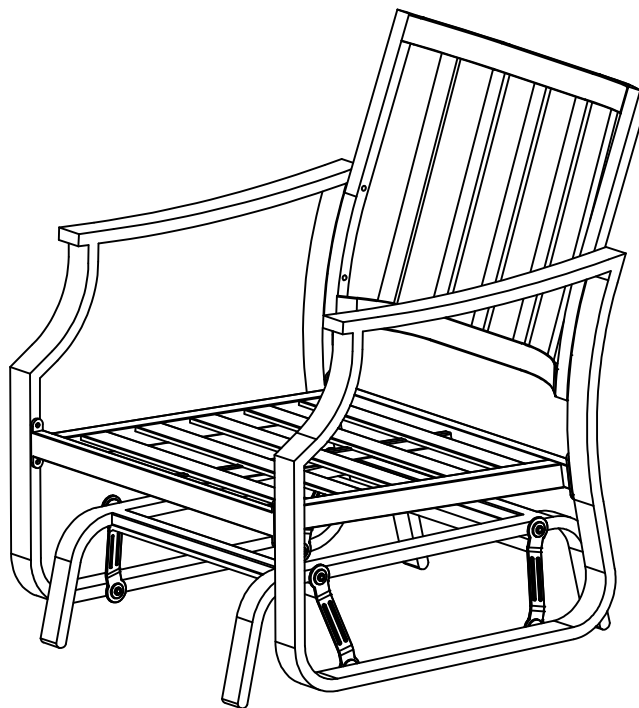
Item # 1005927155

Model # DE2233C

HAMPTON BAY®

USE AND CARE GUIDE

Harbor Point Metal 2pk Glider Chairs - Mariner Blue



Questions, problems, missing parts? Before returning to the store
call Hampton Bay Customer Service.

8 a.m. - 7 p.m., EST, Monday - Friday, 9 a.m. - 6 p.m., EST, Saturday

Hampton Bay (800-841-1350)

HAMPTONBAY.COM

THANK YOU

We appreciate the trust and confidence you have placed in Hampton Bay through the purchase of this single chair. We strive to continually create quality products designed to enhance your home. Visit us online to see our full line of products available for your home improvement needs.


Thank you for choosing Hampton Bay!

Table of Contents

| | | | |
|--|---|--------------------------------------|---|
| Table of Contents..... | 2 | Pre-Assembly-Single Chair | 3 |
| Important Safety Instructions..... | 2 | Planning Assembly | 3 |
| Save These Instructions | 2 | Hardware Included | 3 |
| Read All Instructions Before Use | 2 | Package Contents..... | 4 |
| Warranty | 2 | Assembly-Single Chair..... | 5 |
| What is Covered | 2 | Care and Cleaning-Single Chair | 7 |
| What is Not Covered | 2 | | |

Important Safety Instructions

SAVE THESE INSTRUCTIONS

 **WARNING:** Never use this product as a support. Do not shake, lean, or climb on the product at any time.


 **WARNING:** Do not place heavy objects on the product.


READ ALL INSTRUCTIONS BEFORE USE

When using a furnishing, basic precautions should always be followed, including the following:

To reduce the risk of injury to persons:

- a) Close supervision is necessary when this furnishing is used by, or near children, or disabled persons.
- b) Use this furnishing only for its intended use as described in these instructions. Do not use attachments not recommended by the manufacturer.

 **CAUTION:** Do not locate the product near any heat source.

 **CAUTION:** When not in use, secure the product in a cool and covered location.

This single chair was made for the explicit purpose of providing outdoor functions and is not to be used as a toy. This product is not intended for inclement / severe weather in any form including, but not limited to: rain, hail, sleet, snow and / or wind. The manufacturer recommends storing and / or covering this product when formidable weather is approaching. Do not locate the product near open flames. Children under the age of 10, near the product, should be supervised by a competent adult at all times. This product is NOT intended for commercial use and will void the warranty.

Warranty

3 YEAR LIMITED WARRANTY

WHAT IS COVERED

We warrant the single chair to be free of manufacturing defects to the original purchaser for three years.

WHAT IS NOT COVERED

It remains the customer's responsibility for freight and packaging charges to and from our service center. This warranty does not cover commercial use, hardware, acts of nature, fire, freezing and abusive use. In addition, purchased parts are not covered under this warranty. We reserve the right to make substitutions with similar merchandise, if the model in question is no longer in production.

Contact the Customer Service Team at Hampton Bay (800-841-1350) or visit www.HamptonBay.com.

Pre-Assembly - Single Chair

PLANNING ASSEMBLY

Read all instructions before assembly.

To avoid damaging this product, assemble it on a soft, non-abrasive surface such as carpet or cardboard.



NOTE: More than one person may be required to assemble this product.



NOTE: Do not tighten bolts until all parts are connected.

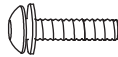
HARDWARE INCLUDED - SINGLE CHAIR



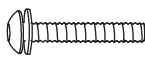
NOTE: Hardware not shown to actual size.



AA



BB



CC

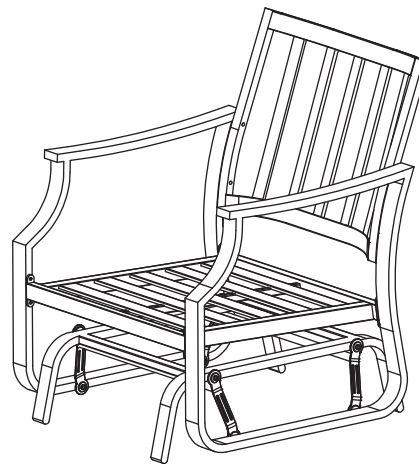


DD



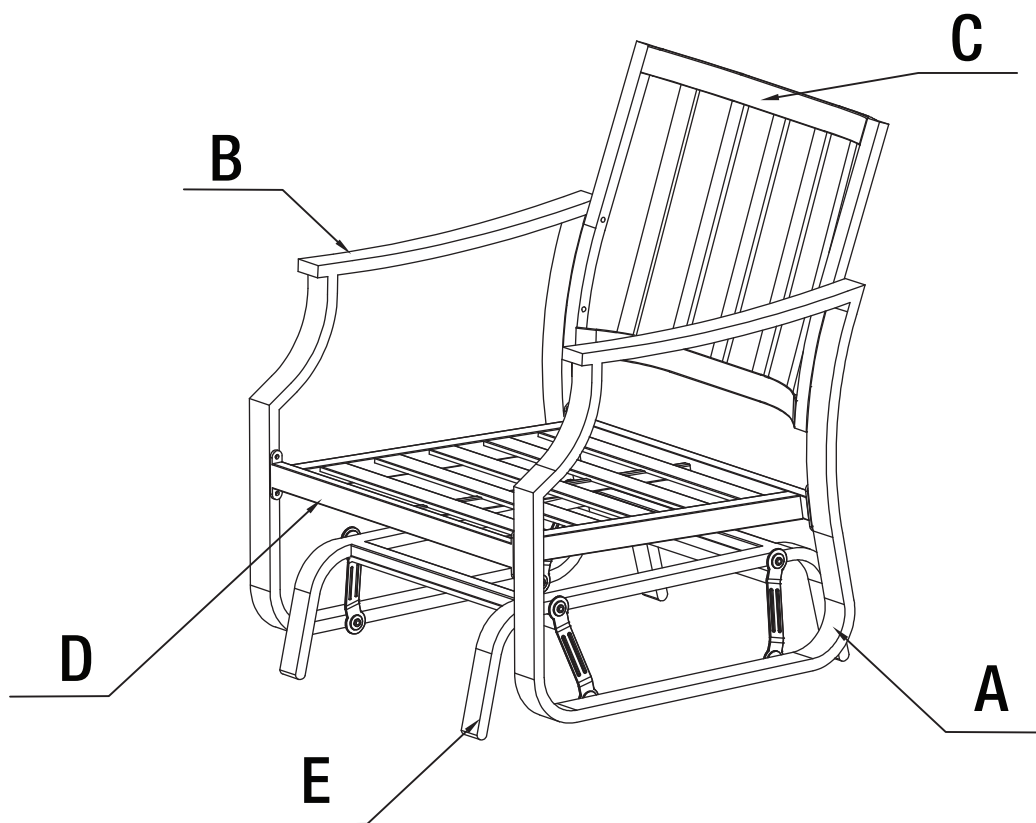
EE

| Part | Description | Quantity |
|------|----------------|----------|
| AA | Bolt M6x15 | 8 |
| BB | Bolt M8x35 | 4 |
| CC | Bolt M6x45 | 4 |
| DD | Plastic Washer | 4 |
| EE | Hex Wrench | 1 |



Pre-Assembly (continued)

PACKAGE CONTENTS

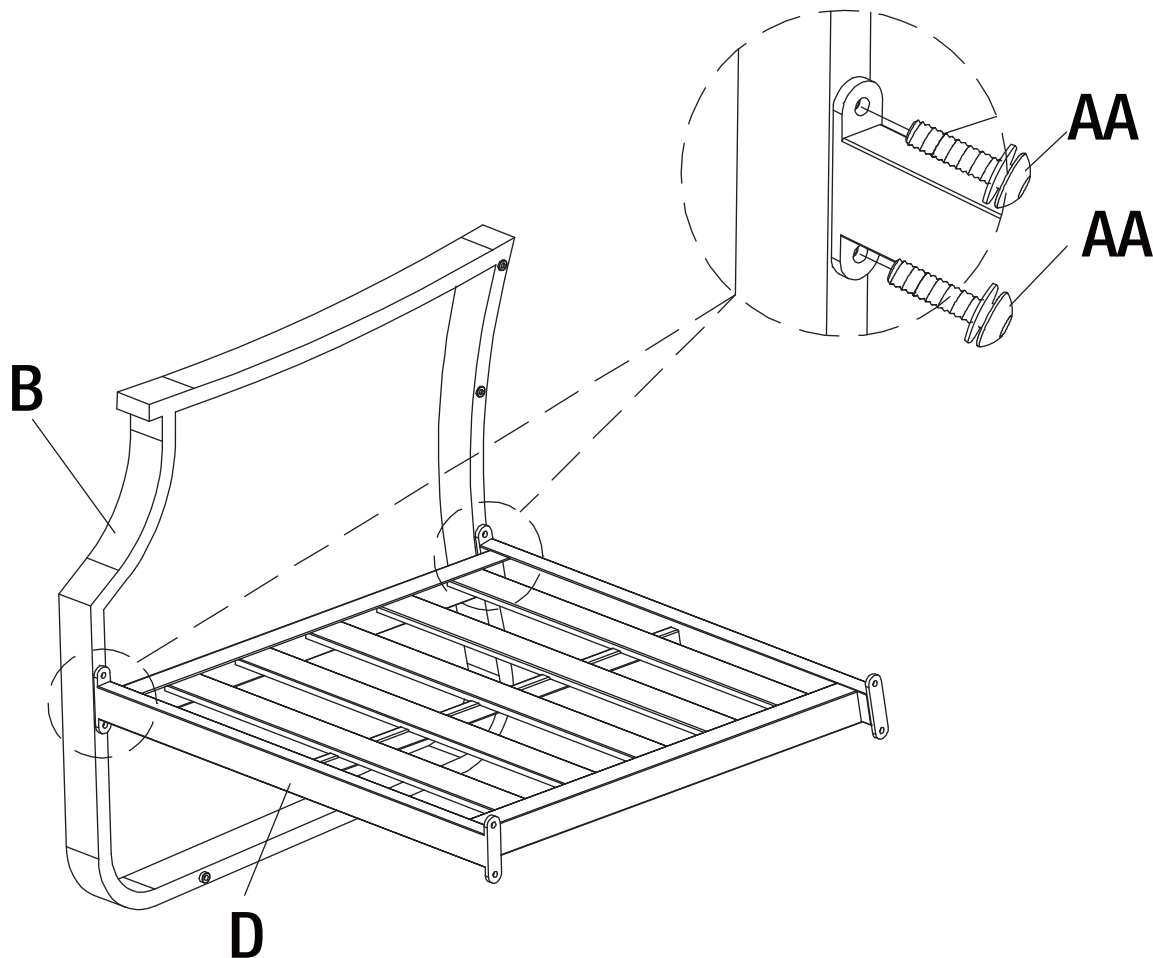


| Part | Description | Quantity |
|------|-------------|----------|
| A | Left Arm | 1 |
| B | Right Arm | 1 |
| C | Back | 1 |
| D | Seat | 1 |
| E | Base | 1 |

Assembly- Single Chair

1 Attaching the right arm to the chair seat

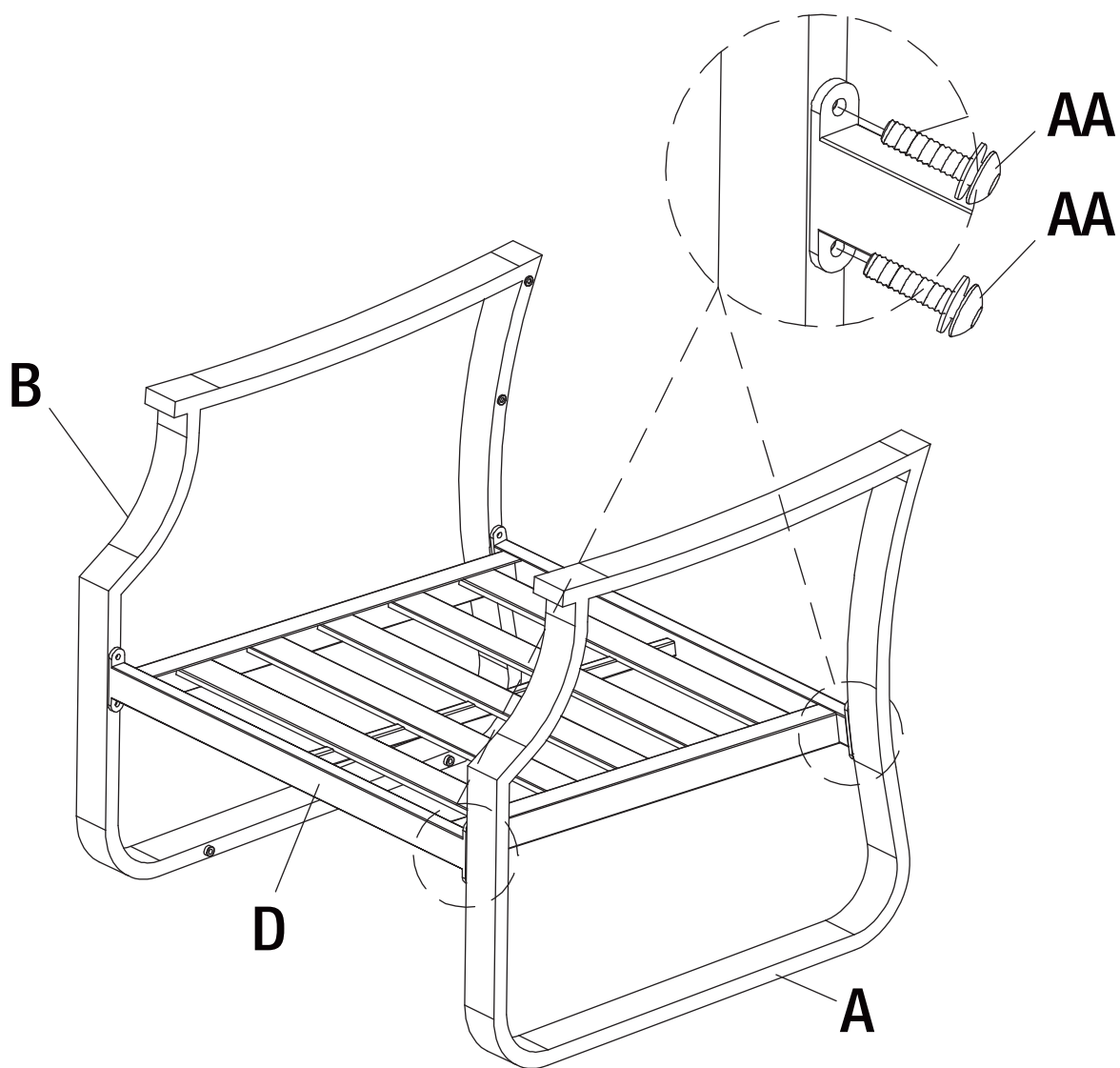
- Attach the right arm (B) to the chair seat (D) using bolts (AA). Loosely tighten using the hex wrench (EE).



Assembly (continued)

2 Attaching the left arm to the chair seat

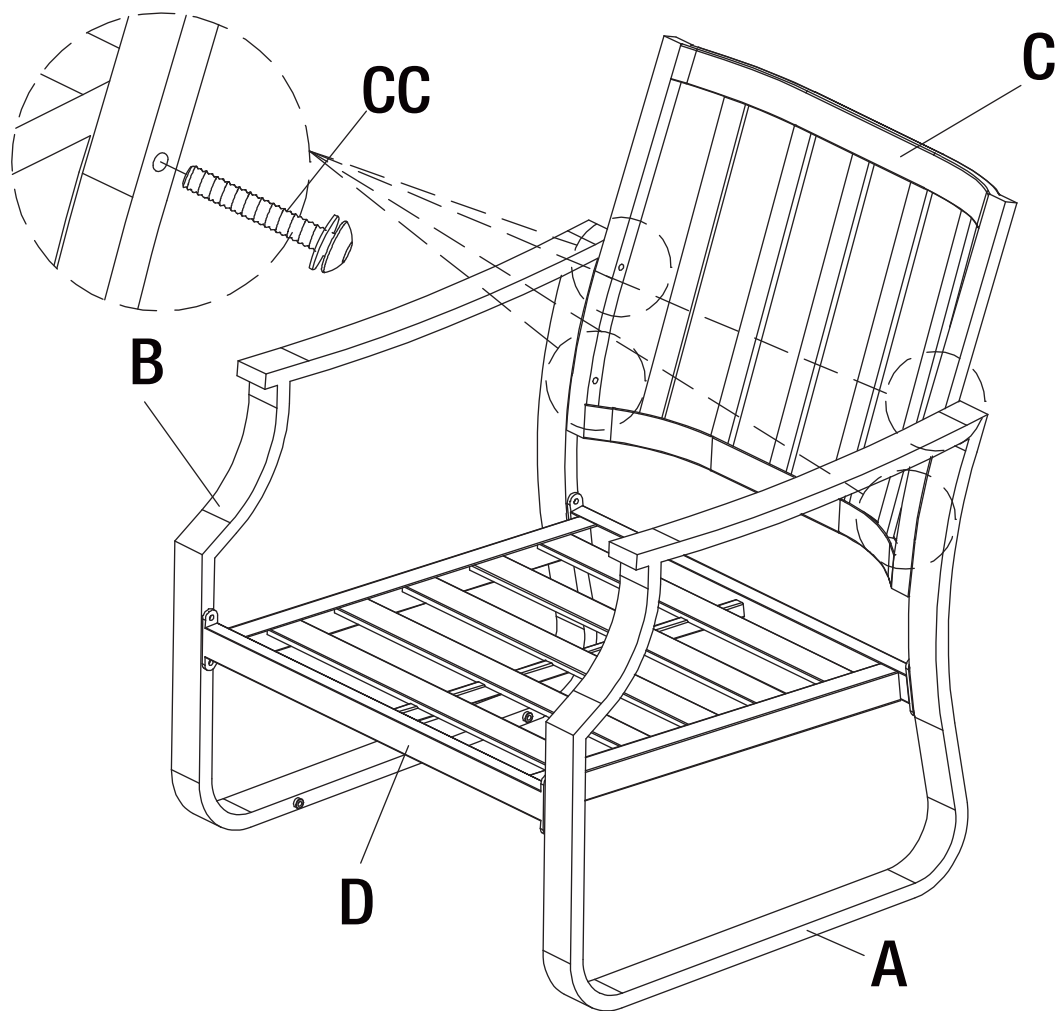
- Attach the left arm (A) to the chair seat (D) using bolts (AA). Loosely tighten using the hex wrench (EE).



Assembly (continued)

3 Attaching the chair back to the arms

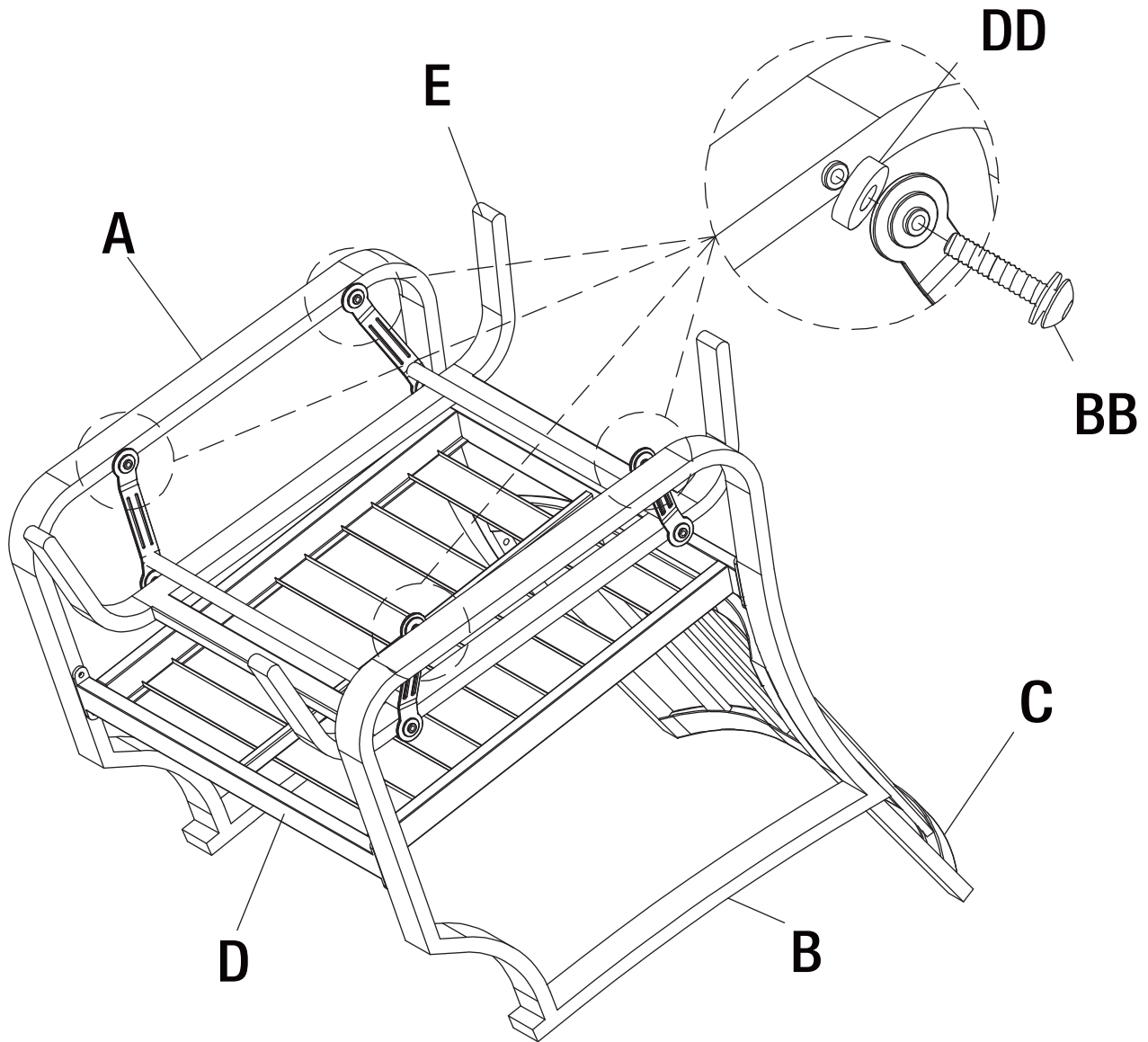
- Attach the back (C) to the arms (A and B) using bolts (CC). Loosely tighten using the hex wrench (EE).



Assembly (continued)

4 Attaching the base to the arms

- Attach the base (E) to the arms (A and B) using bolts (BB) and the plastic washers (DD). Loosely tighten using the hex wrench (EE).



Assembly (continued)

5 Checking the single chair

- Fully tighten all bolts.
- Ensure all connections are secure before use.



Care and Cleaning-Single Chair

- For best results, clean the single chair with a damp cloth and dry thoroughly. This will help prevent mildew by removing dirt particles that may accumulate.
- Do not clean with abrasive materials, bleach, or solvents.
- Store the single chair in a dry, sheltered place when not in use.
- Keep the single chair away from fire, extreme heat, freezing conditions, and inclement weather such as rain, hail, sleet, snow, or wind.

HAMPTON BAY®

Questions, problems, missing parts? Before returning to the store,
call Hampton Bay Customer Service
8 a.m. – 7 p.m., EST, Monday – Friday, 9 a.m. – 6 p.m., EST, Saturday

Hampton Bay (800-841-1350)

HAMPTONBAY.COM

Retain this manual for future use.

| |
|----------------------------|
| For certification use only |
|----------------------------|

| |
|----------------------|
| Factory ID # 2007206 |
|----------------------|

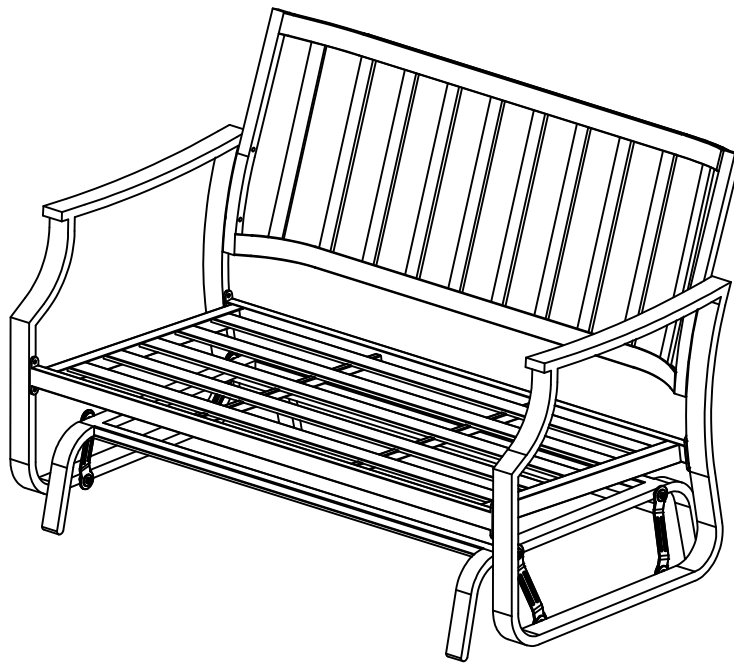
Item # 1005927154

Model # DE22331

HAMPTON BAY®

USE AND CARE GUIDE

Harbor Point Metal Glider Loveseat - Mariner Blue



Questions, problems, missing parts? Before returning to the store
call Hampton Bay Customer Service.

8 a.m. - 7 p.m., EST, Monday - Friday, 9 a.m. - 6 p.m., EST, Saturday

Hampton Bay (800-841-1350)

HAMPTONBAY.COM

THANK YOU

We appreciate the trust and confidence you have placed in Hampton Bay through the purchase of this loveseat. We strive to continually create quality products designed to enhance your home. Visit us online to see our full line of products available for your home improvement needs. Thank you for choosing Hampton Bay!

Table of Contents

| | | | |
|--|---|----------------------------------|---|
| Table of Contents..... | 2 | Pre-Assembly-Loveseat | 3 |
| Important Safety Instructions..... | 2 | Planning Assembly | 3 |
| Save These Instructions | 2 | Hardware Included | 3 |
| Read All Instructions Before Use | 2 | Package Contents..... | 4 |
| Warranty | 2 | Assembly-Loveseat..... | 5 |
| What is Covered | 2 | Care and Cleaning-Loveseat | 7 |
| What is Not Covered | 2 | | |

Important Safety Instructions

SAVE THESE INSTRUCTIONS



WARNING: Never use this product as a support. Do not shake, lean, or climb on the product at any time.



WARNING: Do not place heavy objects on the product.

READ ALL INSTRUCTIONS BEFORE USE

When using a furnishing, basic precautions should always be followed, including the following:

To reduce the risk of injury to persons:

- a) Close supervision is necessary when this furnishing is used by, or near children, or disabled persons.
- b) Use this furnishing only for its intended use as described in these instructions. Do not use attachments not recommended by the manufacturer.

This loveseat was made for the explicit purpose of providing outdoor functions and is not to be used as a toy. This product is not intended for inclement / severe weather in any form including, but not limited to: rain, hail, sleet, snow and / or wind. The manufacturer recommends storing and / or covering this product when formidable weather is approaching. Do not locate the product near open flames. Children under the age of 10, near the product, should be supervised by a competent adult at all times. This product is NOT intended for commercial use and will void the warranty.



CAUTION: Do not locate the product near any heat source.



CAUTION: When not in use, secure the product in a cool and covered location.

Warranty

3 YEAR LIMITED WARRANTY

WHAT IS COVERED

We warrant the loveseat to be free of manufacturing defects to the original purchaser for three years.

WHAT IS NOT COVERED

It remains the customer's responsibility for freight and packaging charges to and from our service center. This warranty does not cover commercial use, hardware, acts of nature, fire, freezing and abusive use. In addition, purchased parts are not covered under this warranty. We reserve the right to make substitutions with similar merchandise, if the model in question is no longer in production.

Contact the Customer Service Team at Hampton Bay (800-841-1350) or visit www.HamptonBay.com.

Pre-Assembly - Loveseat

PLANNING ASSEMBLY

Read all instructions before assembly.

To avoid damaging this product, assemble it on a soft, non-abrasive surface such as carpet or cardboard.



NOTE: More than one person may be required to assemble this product.

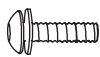


NOTE: Do not tighten bolts until all parts are connected.

HARDWARE INCLUDED - LOVESAE



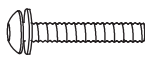
NOTE: Hardware not shown to actual size.



AA



BB



CC

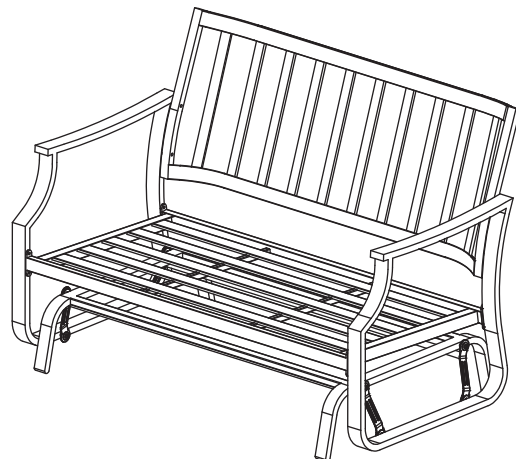


DD



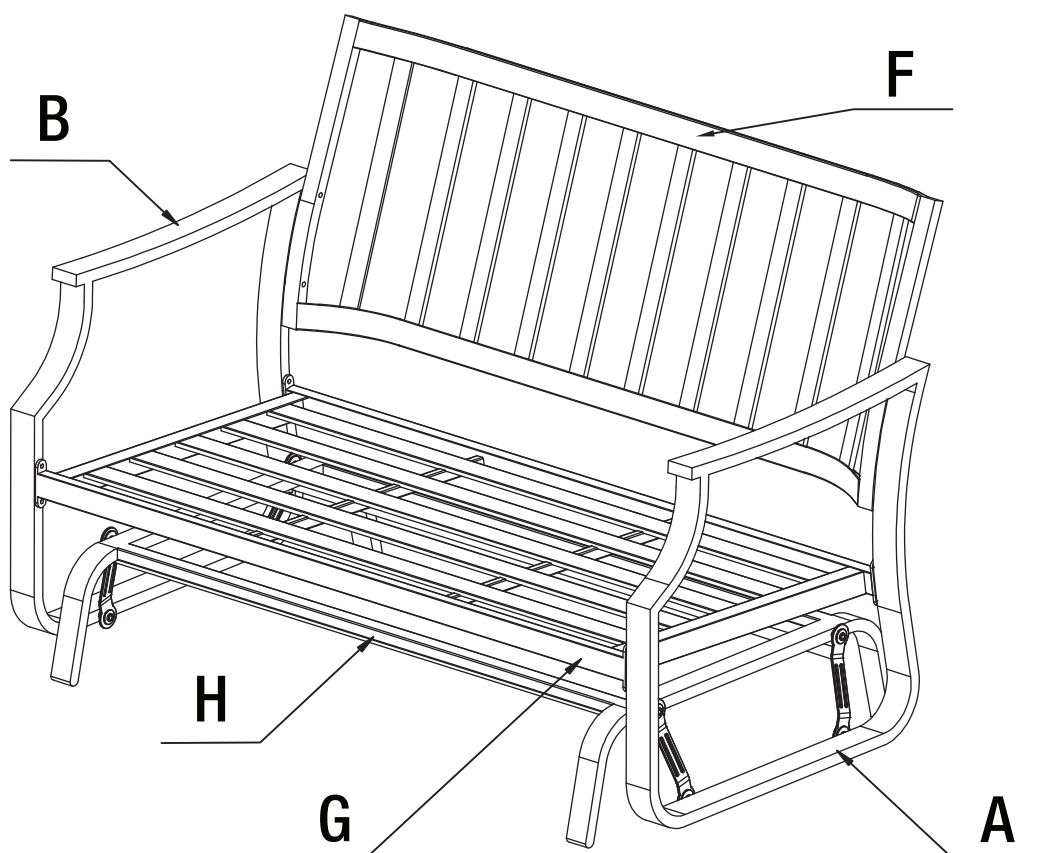
EE

| Part | Description | Quantity |
|------|----------------|----------|
| AA | Bolt M6x15 | 8 |
| BB | Bolt M8x35 | 4 |
| CC | Bolt M6x45 | 4 |
| DD | Plastic Washer | 4 |
| EE | Hex Wrench | 1 |



Pre-Assembly (continued)

PACKAGE CONTENTS

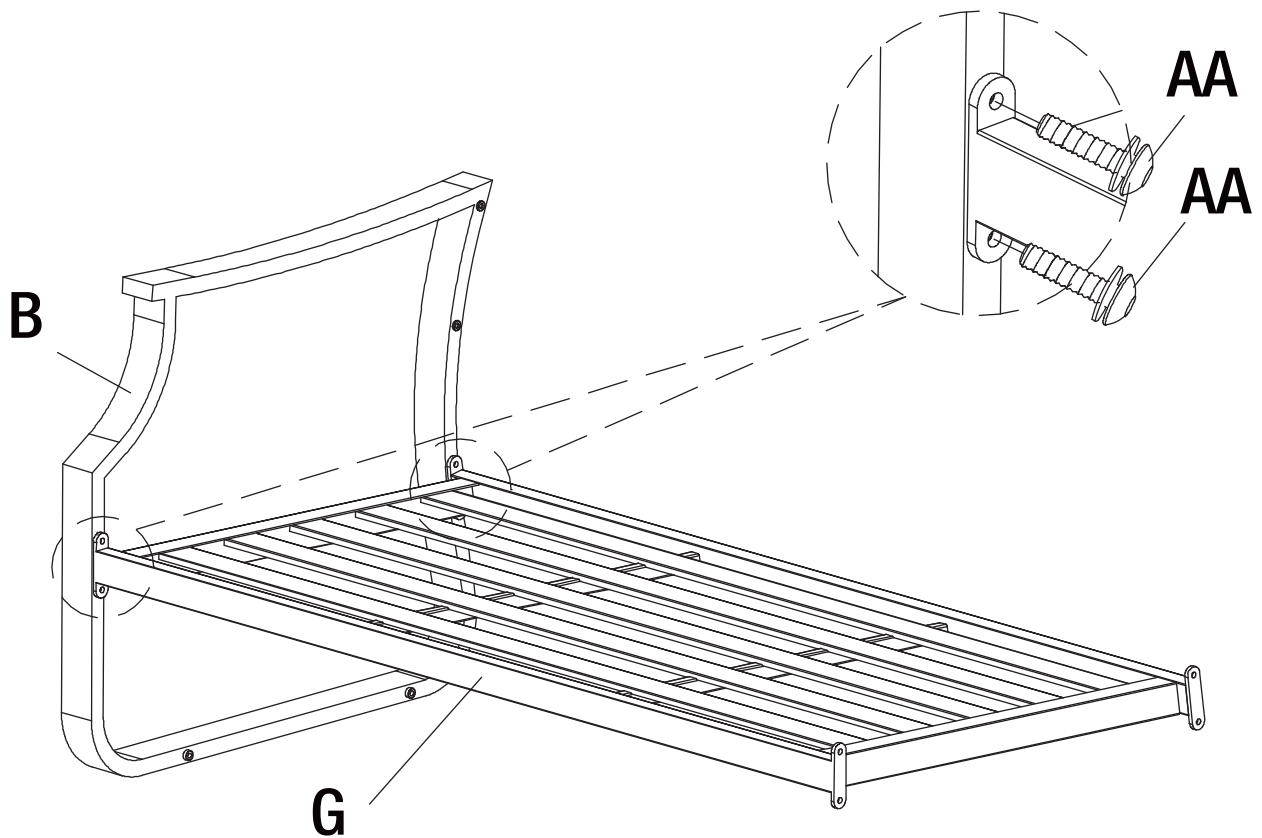


| Part | Description | Quantity |
|------|---------------|----------|
| A | Left Arm | 1 |
| B | Right Arm | 1 |
| F | Loveseat Back | 1 |
| G | Loveseat Seat | 1 |
| H | Loveseat Base | 1 |

Assembly- Loveseat

1 Attaching the right arm to the seat

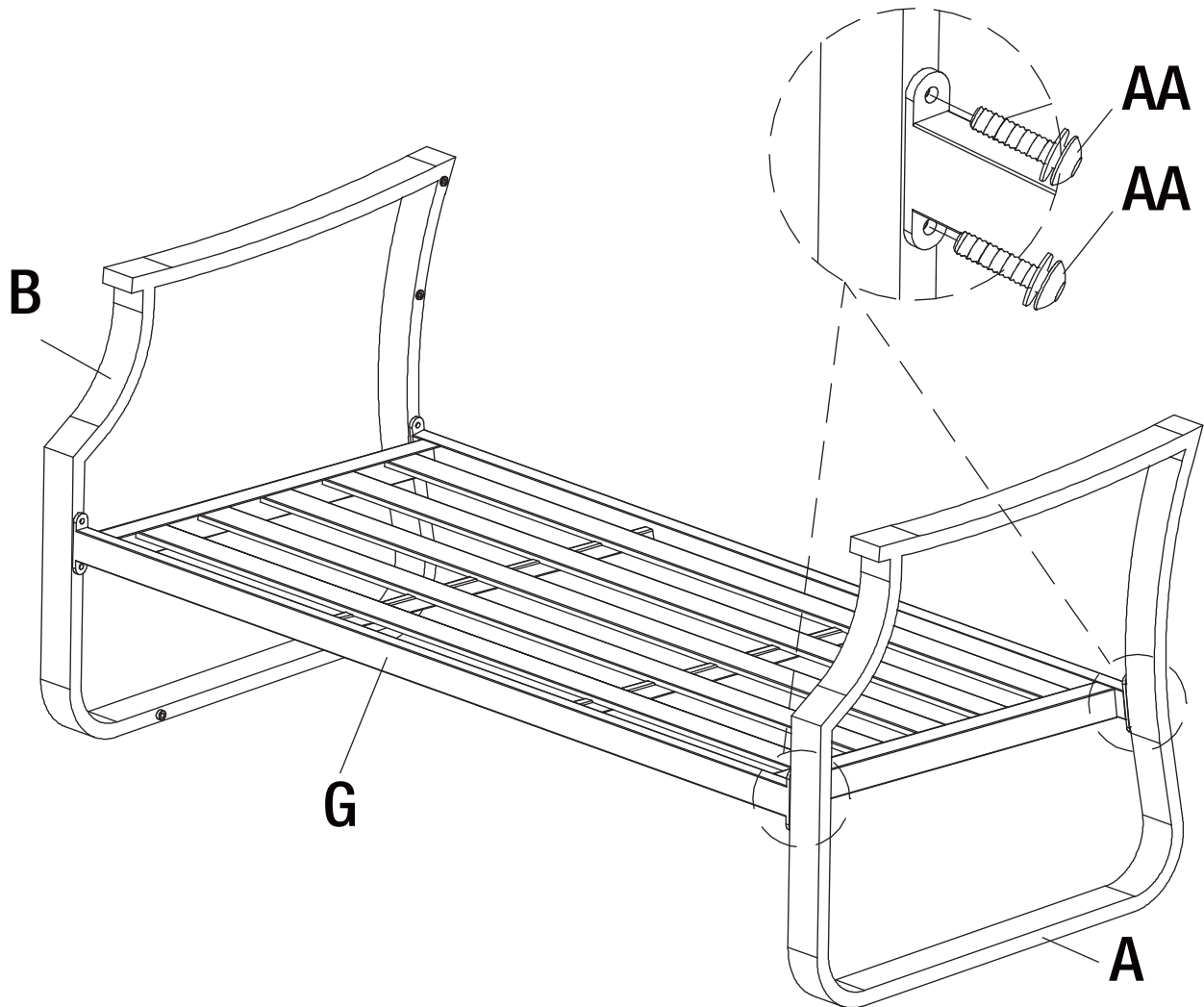
- Attach the right arm (B) to the chair seat (G) using bolts (AA). Loosely tighten using the hex wrench (EE).



Assembly (continued)

2 Attaching the left arm to the seat

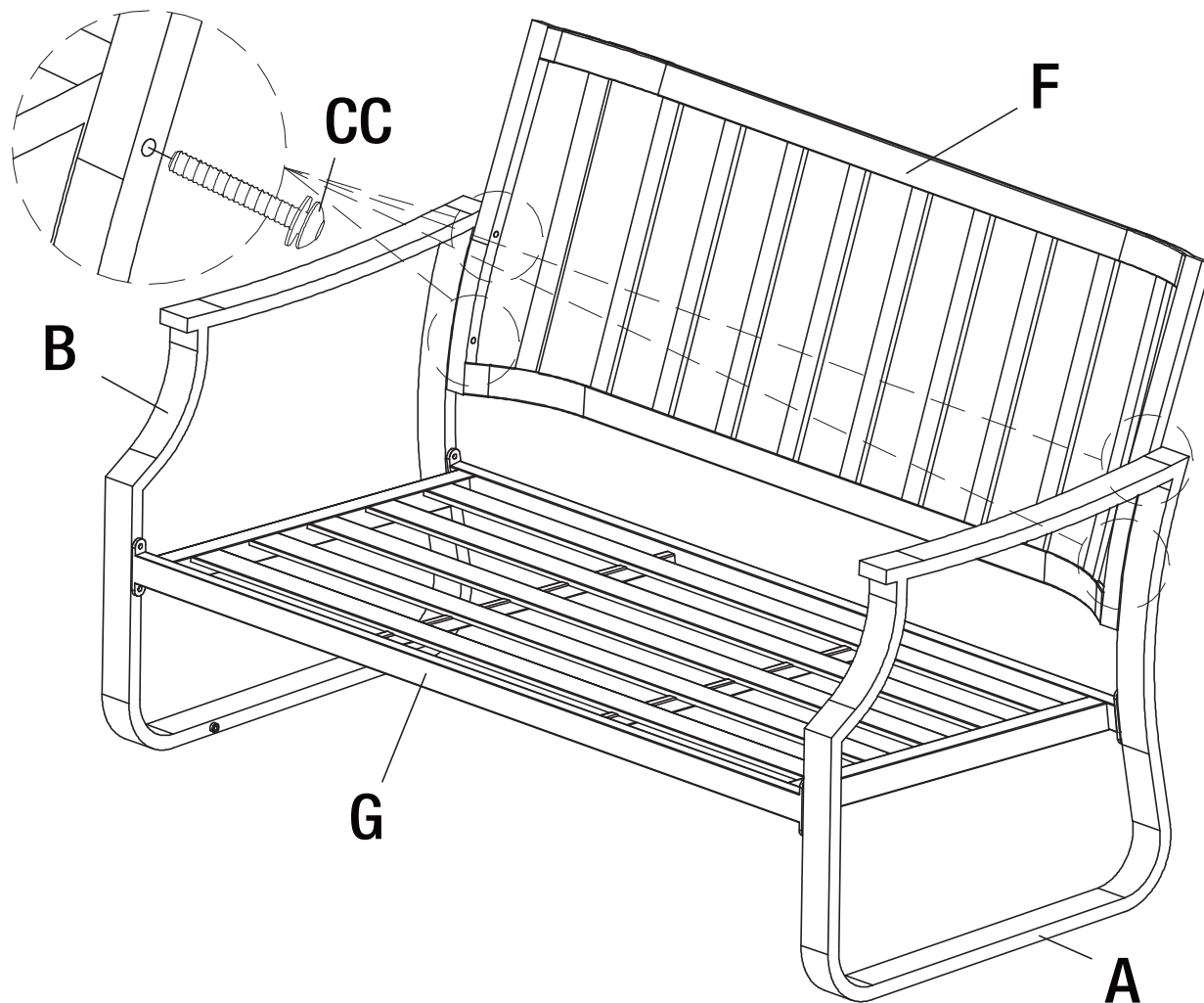
- Attach the left arm (A) to the chair seat (G) using bolts (AA). Loosely tighten using the hex wrench (EE).



Assembly (continued)

3 Attaching the back to the arms

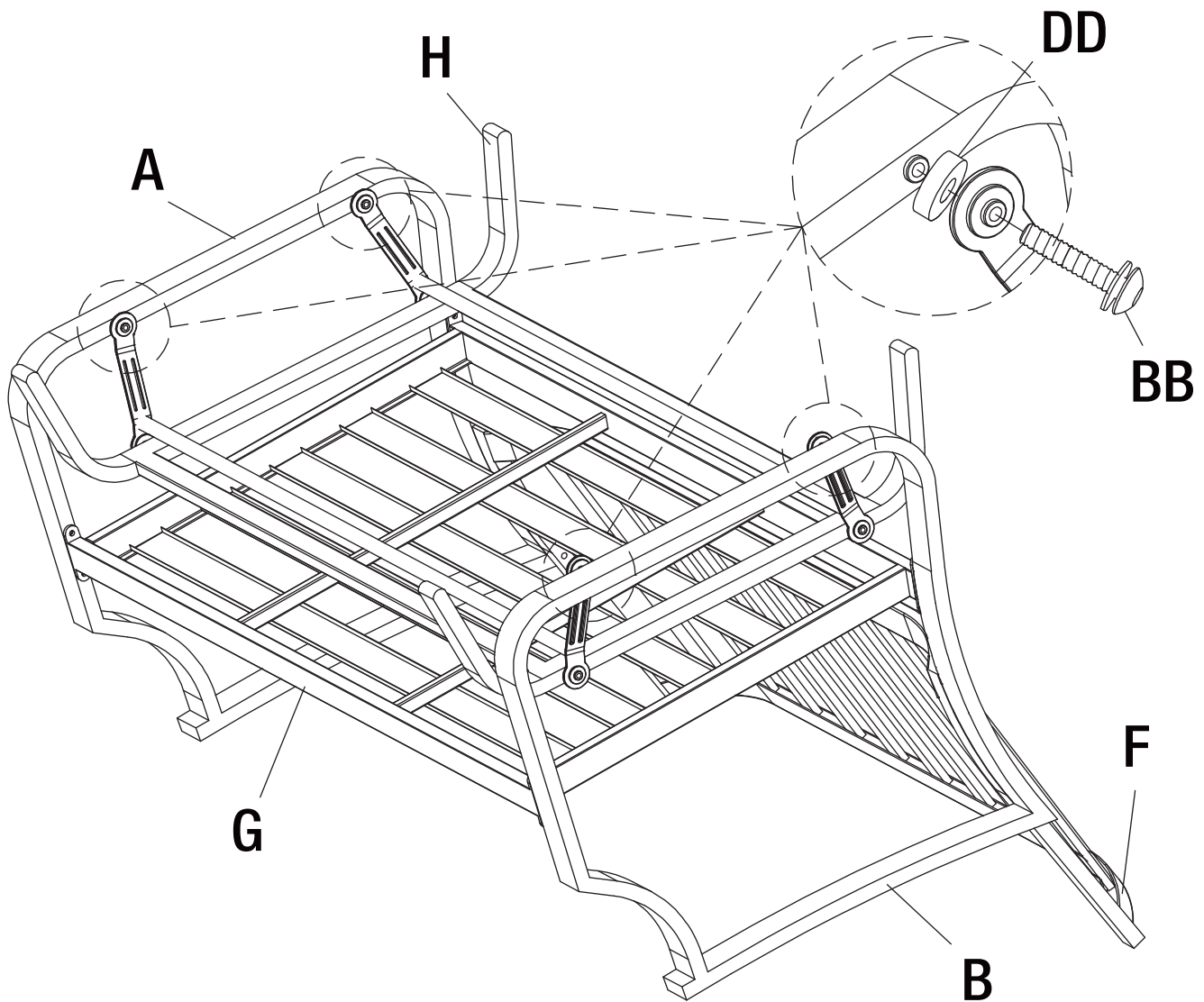
- Attach the back (F) to the arms (A and B) using bolts (CC). Loosely tighten using the hex wrench (EE).



Assembly (continued)

4 Attaching the base to the arms

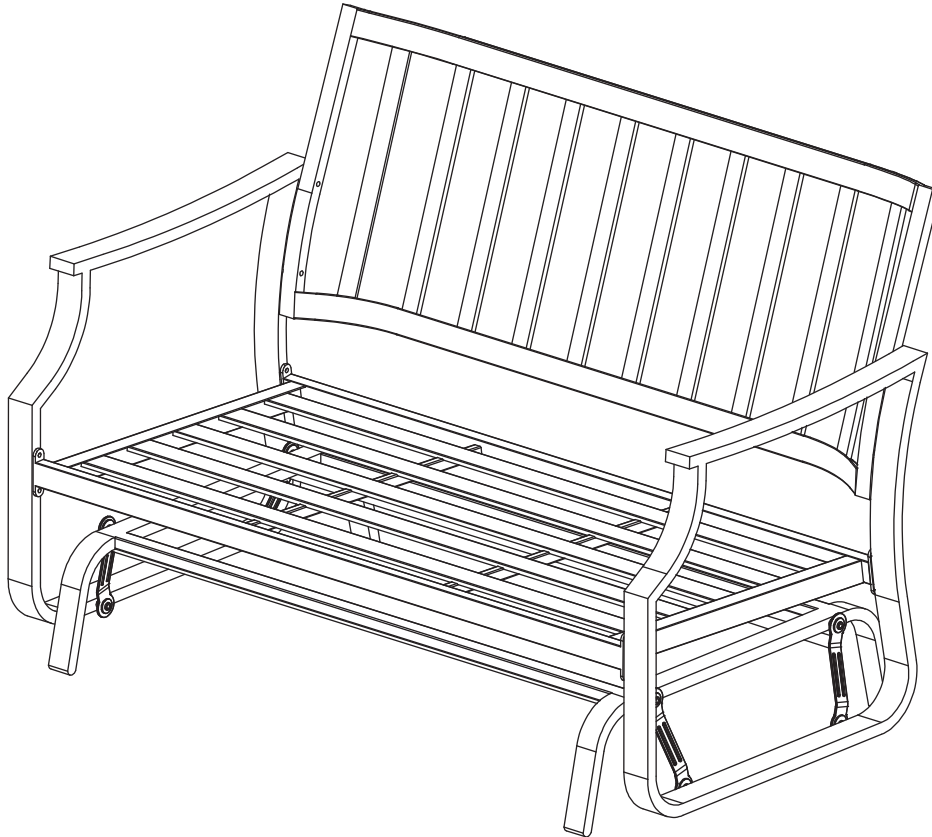
- Attach the base (H) to the arms (A and B) using bolts (BB) and the plastic washers (DD). Loosely tighten using the hex wrench (EE).



Assembly (continued)

5 Checking the loveseat

- Fully tighten all bolts.
- Ensure all connections are secure before use.



Care and Cleaning-Loveseat

- For best results, clean the loveseat with a damp cloth and dry thoroughly. This will help prevent mildew by removing dirt particles that may accumulate.
- Do not clean with abrasive materials, bleach, or solvents.
- Store the loveseat in a dry, sheltered place when not in use.
- Keep the loveseat away from fire, extreme heat, freezing conditions, and inclement weather such as rain, hail, sleet, snow, or wind.

HAMPTON BAY®

Questions, problems, missing parts? Before returning to the store,
call Hampton Bay Customer Service
8 a.m. – 7 p.m., EST, Monday – Friday, 9 a.m. – 6 p.m., EST, Saturday

Hampton Bay (800-841-1350)

HAMPTONBAY.COM

Retain this manual for future use.

| |
|----------------------------|
| For certification use only |
|----------------------------|

| |
|----------------------|
| Factory ID # 2007206 |
|----------------------|

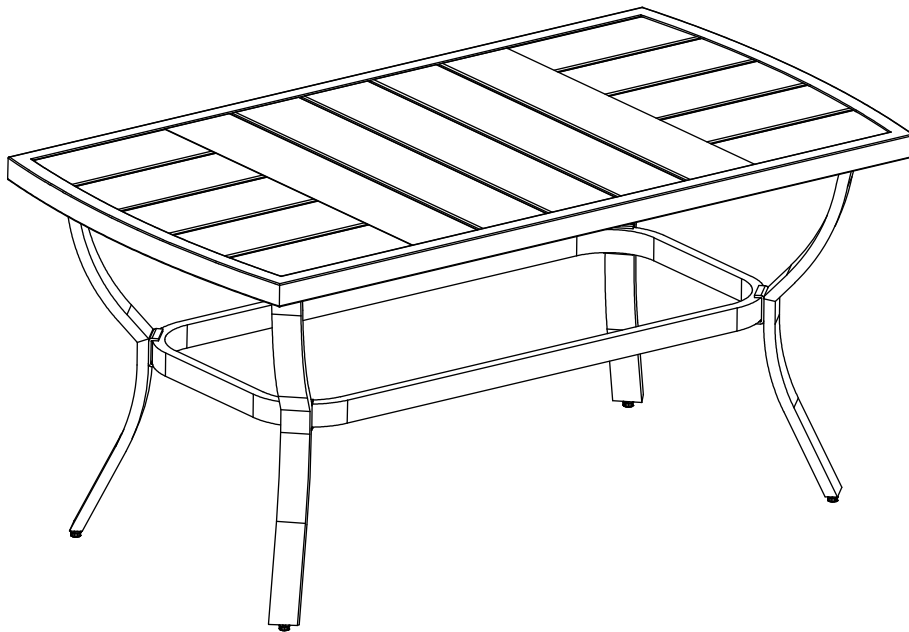
Item # 1005927154

Model # DE22332

HAMPTON BAY[®]

USE AND CARE GUIDE

Harbor Point Metal Coffee Table



Questions, problems, missing parts? Before returning to the store
call Hampton Bay Customer Service.

8 a.m. - 7 p.m., EST, Monday - Friday, 9 a.m. - 6 p.m., EST, Saturday

Hampton Bay (800-841-1350)

HAMPTONBAY.COM

THANK YOU

We appreciate the trust and confidence you have placed in Hampton Bay through the purchase of this table. We strive to continually create quality products designed to enhance your home. Visit us online to see our full line of products available for your home improvement needs. Thank you for choosing Hampton Bay!

Table of Contents

| | | | |
|---------------------------------------|---|-------------------------------------|---|
| Table of Contents..... | 2 | Pre-Assembly-Coffee Table..... | 3 |
| Important Safety Instructions..... | 2 | Planning Assembly..... | 3 |
| Save These Instructions..... | 2 | Hardware Included..... | 3 |
| Read All Instructions Before Use..... | 2 | Package Contents..... | 4 |
| Warranty..... | 2 | Assembly-Coffee Table..... | 5 |
| What is Covered..... | 2 | Care and Cleaning-Coffee Table..... | 7 |
| What is Not Covered..... | 2 | | |

Important Safety Instructions

SAVE THESE INSTRUCTIONS



WARNING: Never use this product as a support. Do not shake, lean, or climb on the product at any time.



WARNING: Do not place heavy objects on the product.

READ ALL INSTRUCTIONS BEFORE USE

When using a furnishing, basic precautions should always be followed, including the following:

To reduce the risk of injury to persons:

- a) Close supervision is necessary when this furnishing is used by, or near children, or disabled persons.
- b) Use this furnishing only for its intended use as described in these instructions. Do not use attachments not recommended by the manufacturer.

This coffee table was made for the explicit purpose of providing outdoor functions and is not to be used as a toy. This product is not intended for inclement / severe weather in any form including, but not limited to: rain, hail, sleet, snow and / or wind. The manufacturer recommends storing and / or covering this product when formidable weather is approaching. Do not locate the product near open flames. Children under the age of 10, near the product, should be supervised by a competent adult at all times. This product is NOT intended for commercial use and will void the warranty.



CAUTION: Do not locate the product near any heat source.



CAUTION: When not in use, secure the product in a cool and covered location.

Warranty

3 YEAR LIMITED WARRANTY

WHAT IS COVERED

We warrant the coffee table to be free of manufacturing defects to the original purchaser for three years.

WHAT IS NOT COVERED

It remains the customer's responsibility for freight and packaging charges to and from our service center. This warranty does not cover commercial use, hardware, acts of nature, fire, freezing and abusive use. In addition, purchased parts are not covered under this warranty. We reserve the right to make substitutions with similar merchandise, if the model in question is no longer in production.

Contact the Customer Service Team at Hampton Bay (800-841-1350) or visit www.HamptonBay.com.

Pre-Assembly - Coffee Table

PLANNING ASSEMBLY

Read all instructions before assembly.

To avoid damaging this product, assemble it on a soft, non-abrasive surface such as carpet or cardboard.



NOTE: More than one person may be required to assemble this product.



NOTE: Do not tighten bolts until all parts are connected.



NOTE: To avoid damaging this product, please assemble it on a soft, non-abrasive surface such as carpet or cardboard.

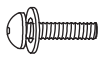
HARDWARE INCLUDED - COFFEE TABLE



NOTE: Hardware not shown to actual size.



AA

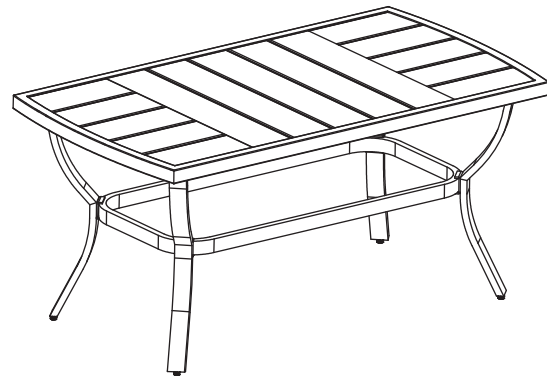


FF



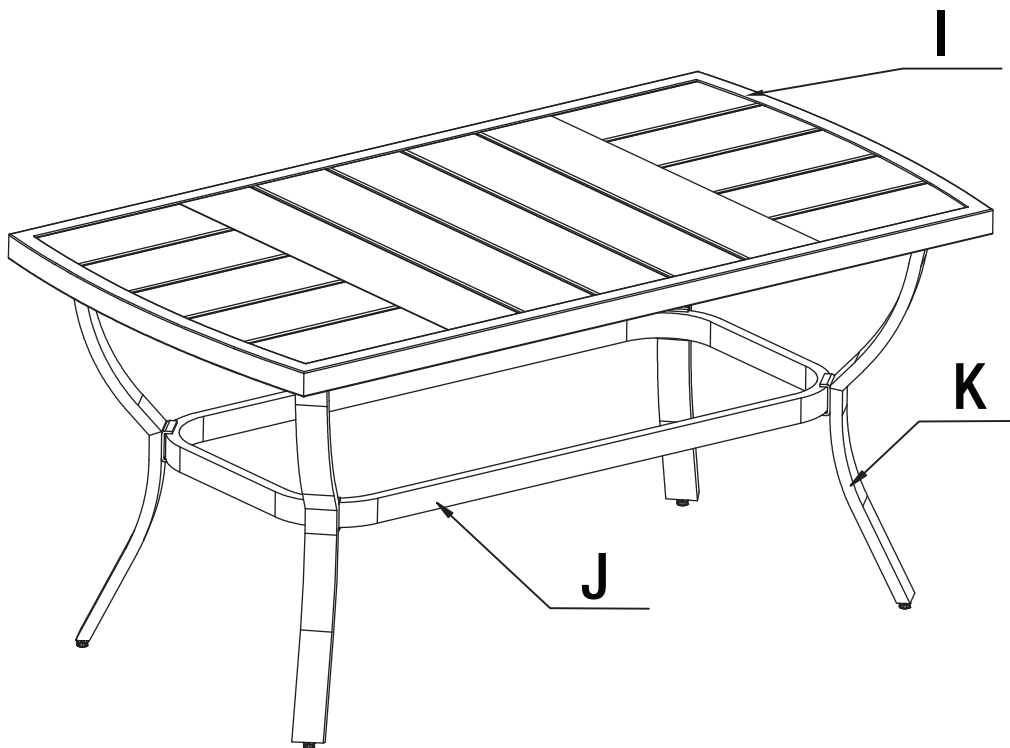
EE

| Part | Description | Quantity |
|------|-------------|----------|
| AA | Bolt M6x15 | 8 |
| FF | Bolt M6x25 | 8 |
| EE | Hex Wrench | 1 |



Pre-Assembly (continued)

PACKAGE CONTENTS

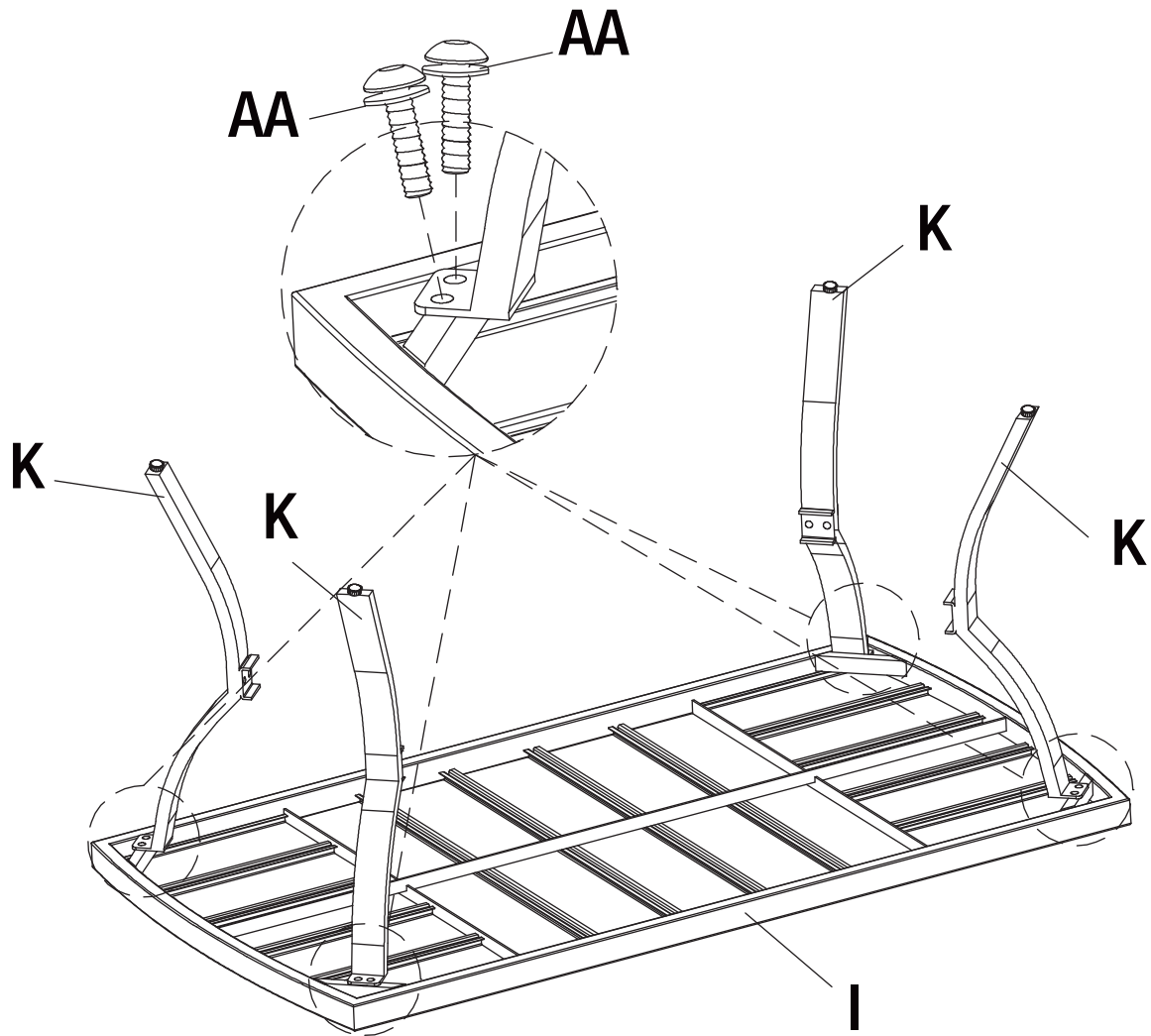


| Part | Description | Quantity |
|------|-----------------------|----------|
| I | Table Top | 1 |
| J | Leg Connector Bracket | 1 |
| K | Table Leg | 4 |

Assembly- Coffee Table

1 Attaching the legs to the table top

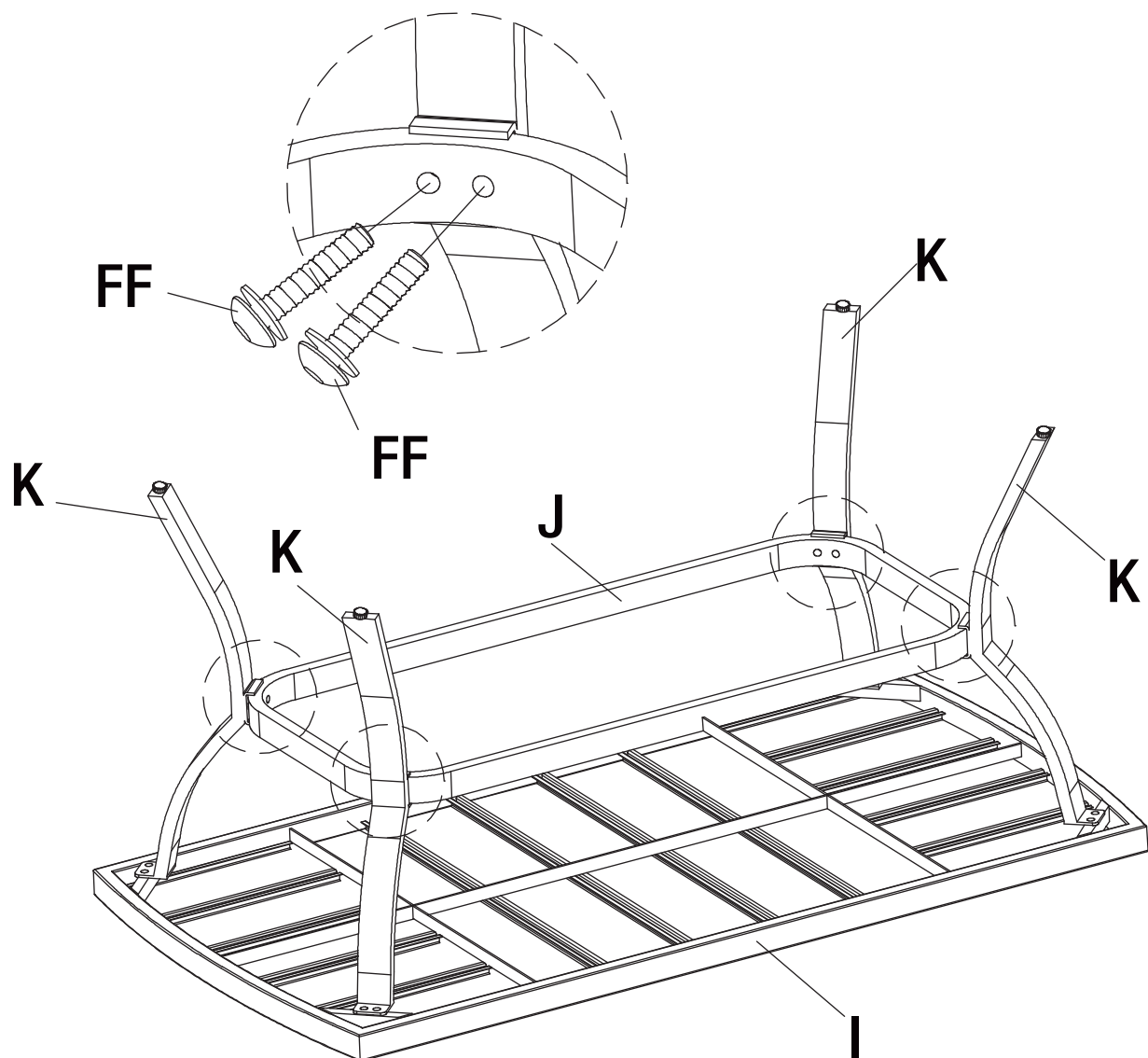
- Attach the legs (K) to the table top (I) using bolts (AA). Loosely tighten using the hex wrench (EE).



Assembly (continued)

2 Attaching the leg bracket

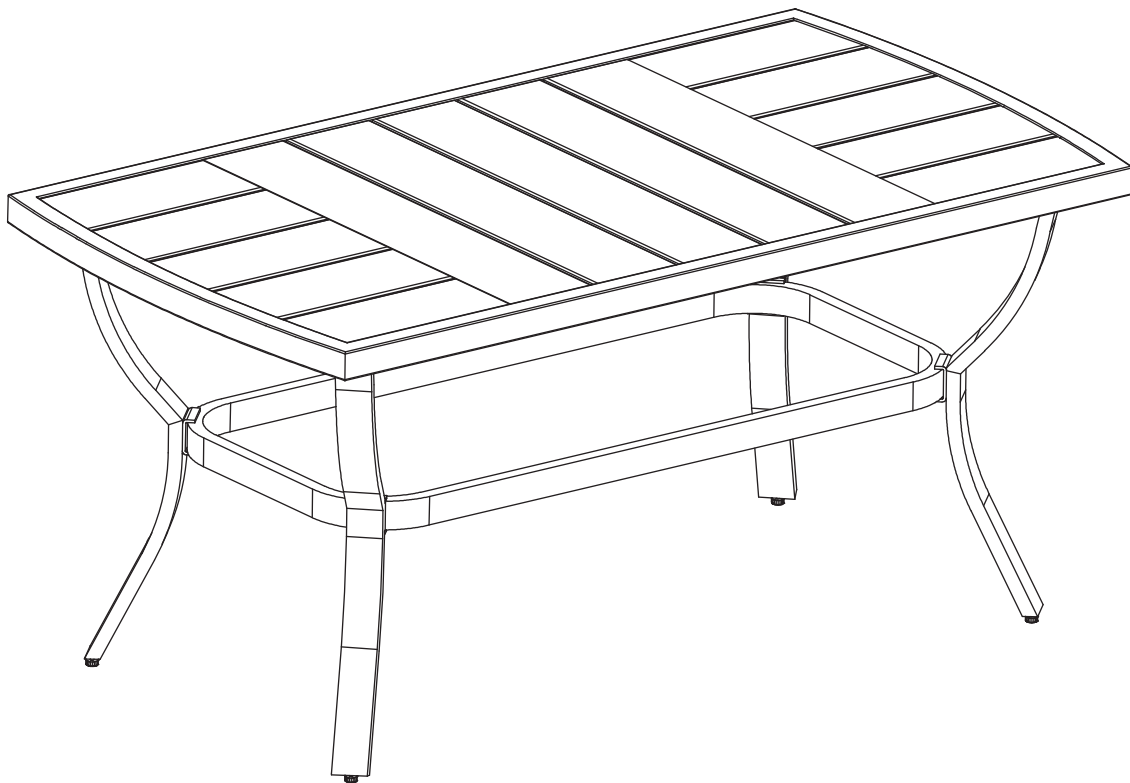
- Attach the leg connector (J) to the legs (K) using bolts (FF). Loosely tighten using the hex wrench (EE).



Assembly (continued)

3 Checking the table

- Fully tighten all bolts.
- Ensure all connections are secure before use.



Care and Cleaning-Coffee Table

- For best results, clean the table with a damp cloth and dry thoroughly. This will help prevent mildew by removing dirt particles that may accumulate.
- Do not clean with abrasive materials, bleach, or solvents.
- Store the table in a dry, sheltered place when not in use.
- Keep the table away from fire, extreme heat, freezing conditions, and inclement weather such as rain, hail, sleet, snow, or wind.

HAMPTON BAY®

Questions, problems, missing parts? Before returning to the store,
call Hampton Bay Customer Service
8 a.m. – 7 p.m., EST, Monday – Friday, 9 a.m. – 6 p.m., EST, Saturday

Hampton Bay (800-841-1350)

HAMPTONBAY.COM

Retain this manual for future use.

| |
|----------------------------|
| For certification use only |
|----------------------------|

| |
|----------------------|
| Factory ID # 2007206 |
|----------------------|