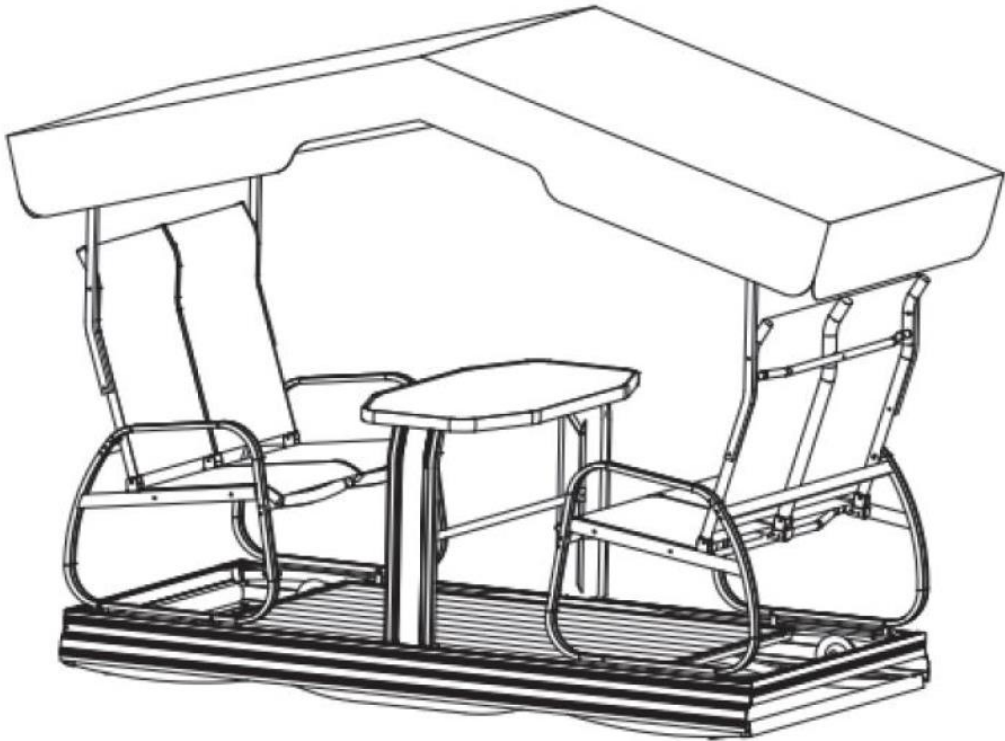


INSTRUCTION MANUAL



Clermont 4-Seater Glider

Model: LYFT0392

F O R U M

Safety Information

It is important to read and follow all safety information prior to the assembly of the swing as well as during usage to reduce risk of injury and avoid damage to the product and its surroundings.

This swing will take approximately 2 hours to assemble.
The unit must be assembled on a level platform.

WARNING: KEEP ALL FLAME AND HEAT SOURCES AWAY FROM FABRICS.

The fabrics meet the flammability requirements of CPAI-84, however, they may burn if left exposed to any continuous flame source. Also, any application of a foreign substance to the fabrics may render the flame-resistant properties ineffective.

Operation

Do not jump onto the seats unnecessarily.

Do not exceed a total weight of 400 lbs (180 kg).

The swing can be left outside all year round. You must remove the roof and seat and store in a dry place during the winter.

Do not place any type of space heater, heat conductor, or exposed flame near the swing.

Maintenance

Check periodically that all screws are tight to maintain the solidity of the structure.

To order replacement parts, refer to the model # and part # of this unit indicated in the parts list.

Care and Cleaning

To clean, use a domestic soap or detergent and wash with warm water using a sponge of cloth. Rinse with clean water.

Do not put the fabrics in any washing machine or dryer.

Warranty

IMPORTANT: This product is not a permanent structure. It can be left out during all seasons however the roof and seat must be removed and stored in a dry place during the winter months. This warranty is based on normal use of the product.

The purchaser of this product has 30 days from original purchase date (non-transferable) to make a claim for any missing or damaged parts in the box. Shipping fees are included for parts claimed during the warranty period. Proof of purchase is necessary in order to make a claim.

This product is guaranteed against defective materials from the manufacturer;

- One (1) year on the frame against rust and discoloration
- One (1) year on the textilene fabric against discoloration
- Limited warranty applicable on parts only

What is not covered under warranty

- Any and all assembly labor
- Damages caused by abuse, misuse of this product or vandalism
- Damages due to extreme weather conditions
- Damages caused by weight exceeding 400lbs (180 kg)

If at any time you require assistance regarding the warranty of your swing contact Forum Outdoor Living Customer Service at 1-844-275-5298 or by email at service@forum-ol.com

Pre-Assembly

Make sure that all parts are in the box before starting the assembly.

Follow all assembly instructions to ensure proper construction.

In order to avoid damages to the swing and its components, place all parts on a soft surface and use appropriate tools.

It is recommended to tighten all bolts and screws once a step is completed.

Some assembly parts contain sharp edges; wear protective gloves when handling these parts.

Keep this User Guide and parts list for future reference.

Hardware Package

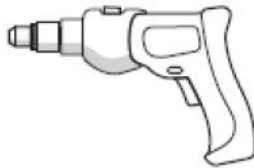
1	20PCS	M6X16	11	2PCS	M6X70
2	16PCS	M6X20	13	4PCS	M6X85
3	4PCS	M6X30	17	74PCS	
4	8PCS	M6X35	18	16PCS	6X70
5	4PCS	M6X40	19	4PCS	M6. 5X32
6	4PCS	M6X45	V	156PCS	φ18/φ6. 5X2
7	16PCS	M6X50	W	2PCS	φ17/φ6. 5X35
8	4PCS	M6X55	X	12PCS	φ17/φ6. 5X10
9	8PCS	M6X60	Y	4PCS	
10	8PCS	M6X65			

Tools That May Be Required (not included)

Note: Tools not shown at actual size



Level



Drill





































Wrench

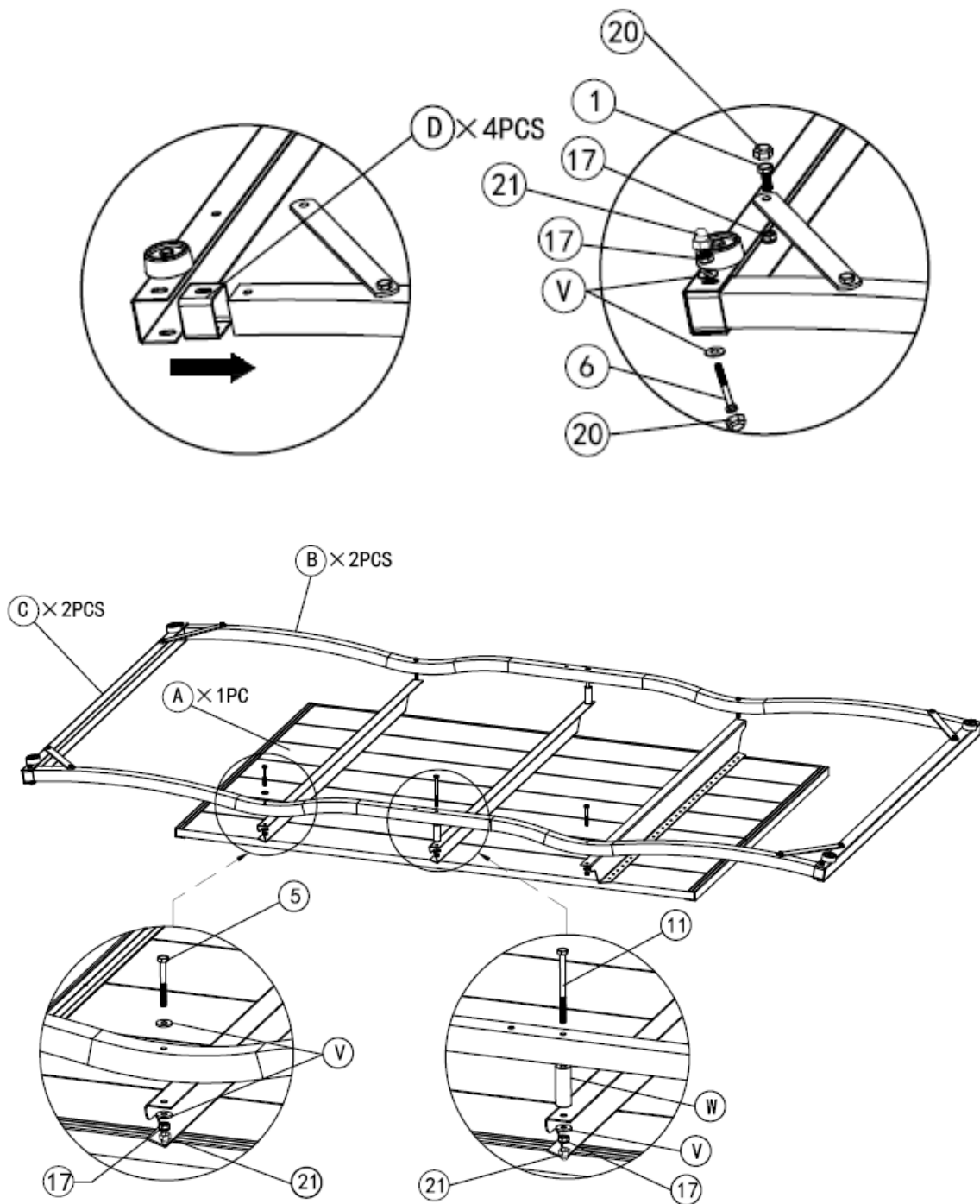


Gloves

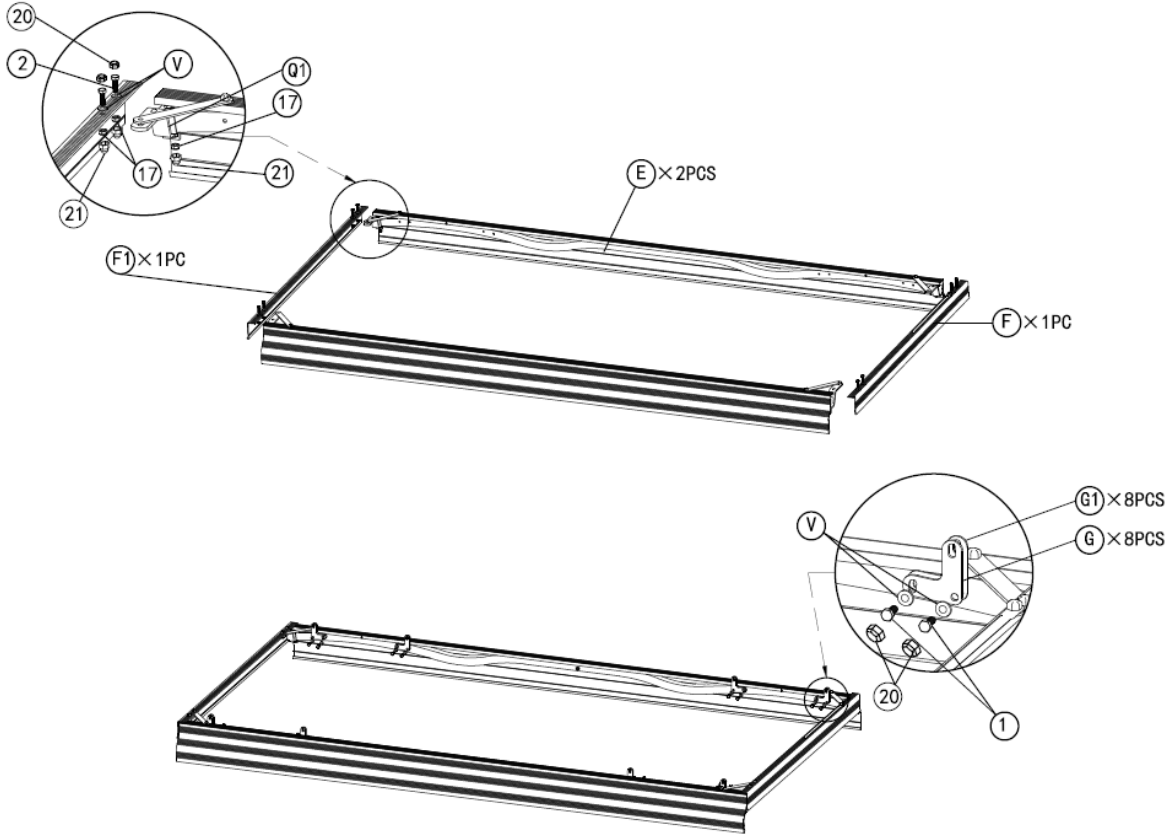
Parts List

(A) 1X 	(B) 2X 	(C) 2X 	(D) 4X 	
(E) 2X 	(F) 1X 	(F1) 1X 	(G) 8X 	
(G1) 8X 	(H) 2X 	(I) 1X 	(J) 1X 	(K) 2X 
(K1) 2X 	(L) 2X 	(M) 2X 	(N) 2X 	(O) 2X 
(O1) 2X 	(P) 1X 	(Q) 2X 	(R) 4X 	
(S) 4X 	(T) 2X 	(U) 1X 	(V) 156X 	
(W) 2X 	(X) 12X 	(Y) 4X 	(Z) 2X 	
(Q1) 4X 	(20) 112X M6 	(21) 74X M6 	(22) 2X M6 	

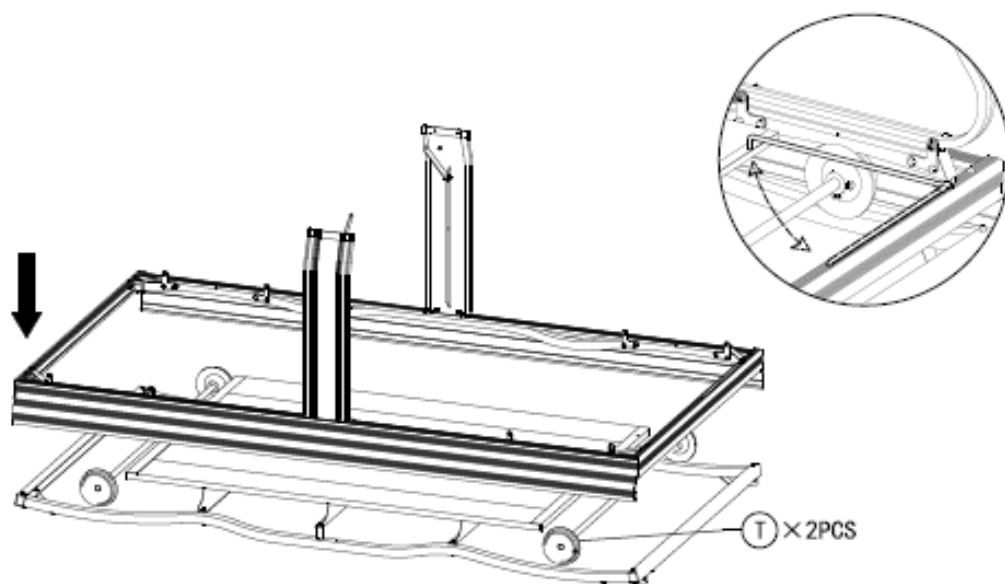
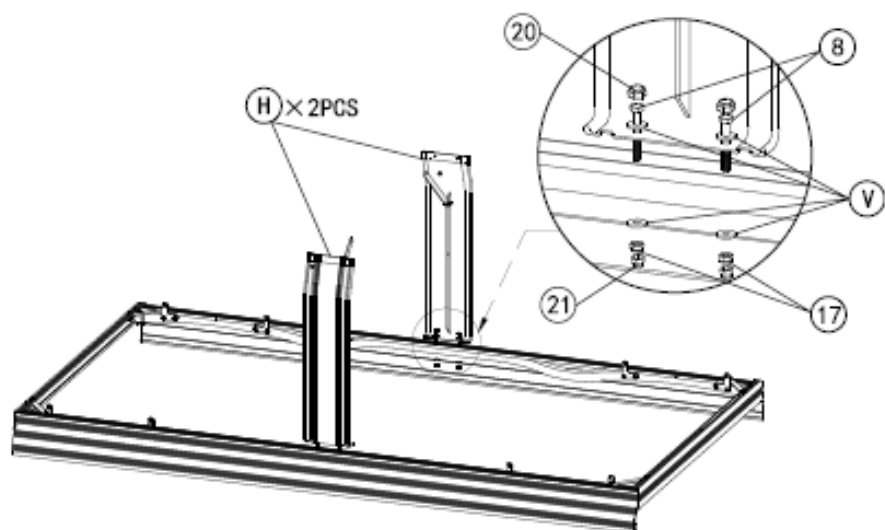
Step 1



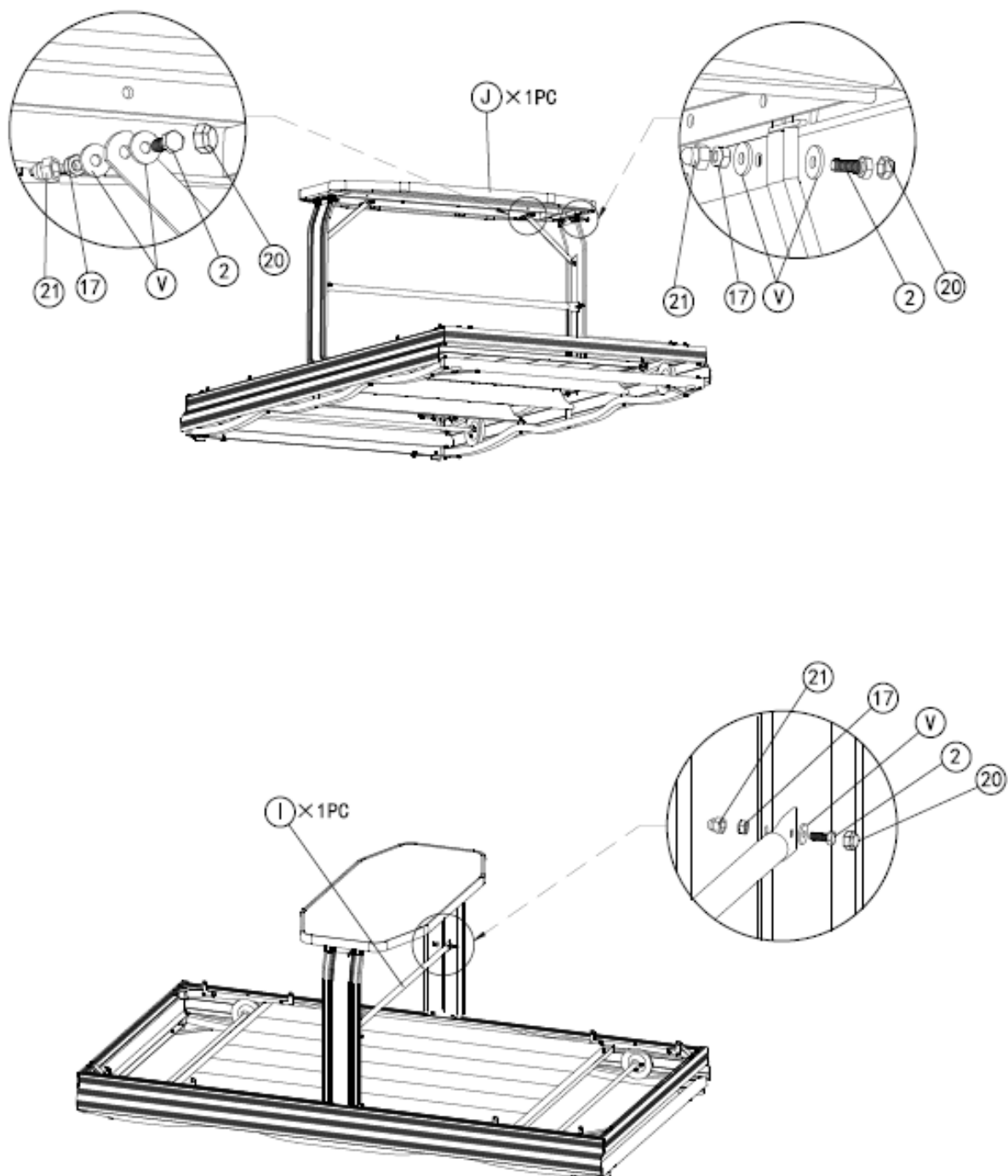
Step 2



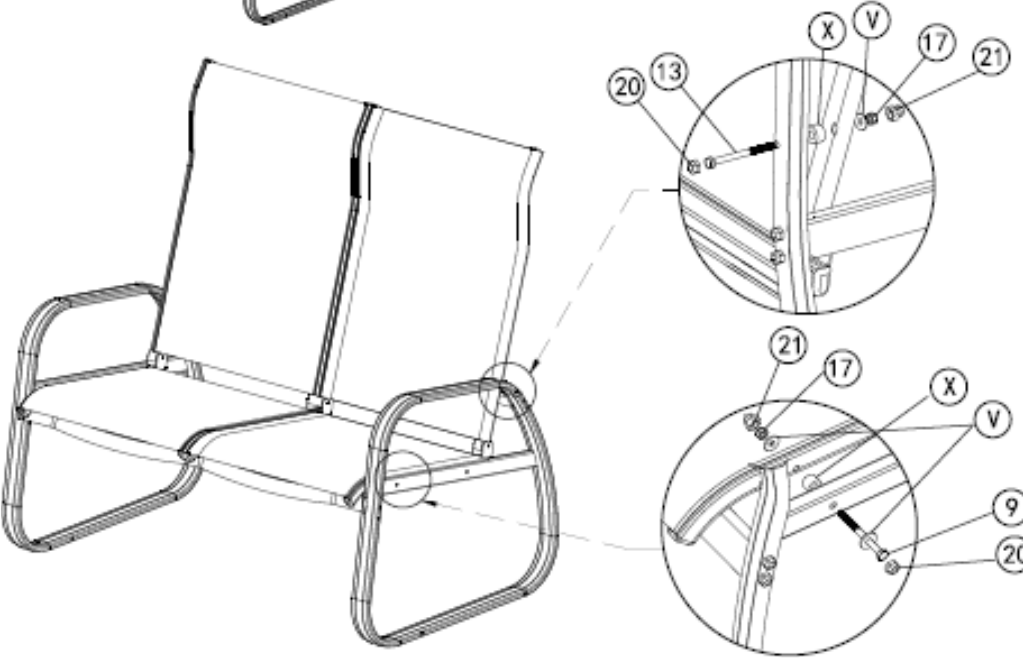
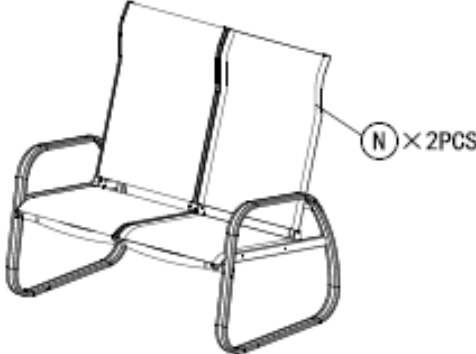
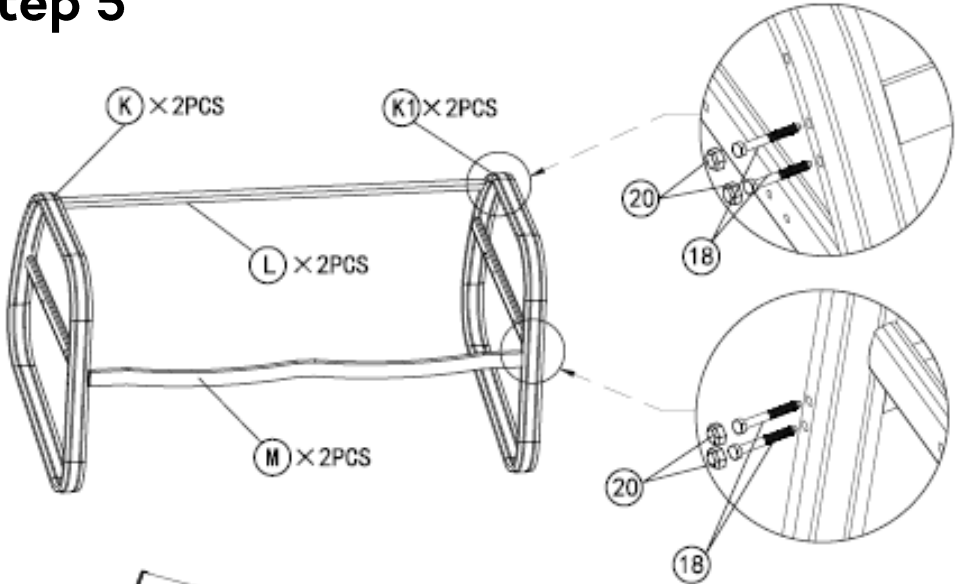
Step 3



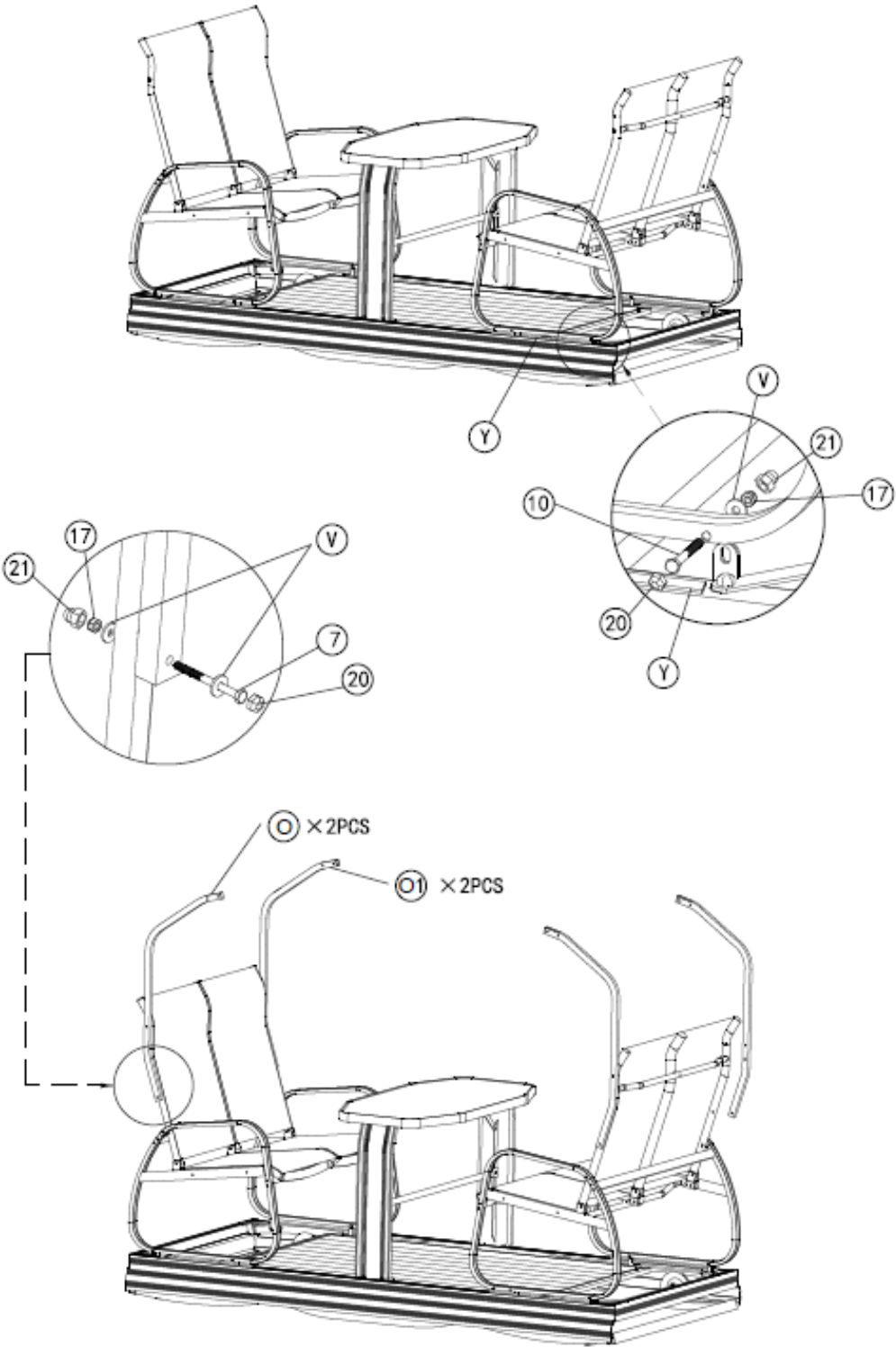
Step 4



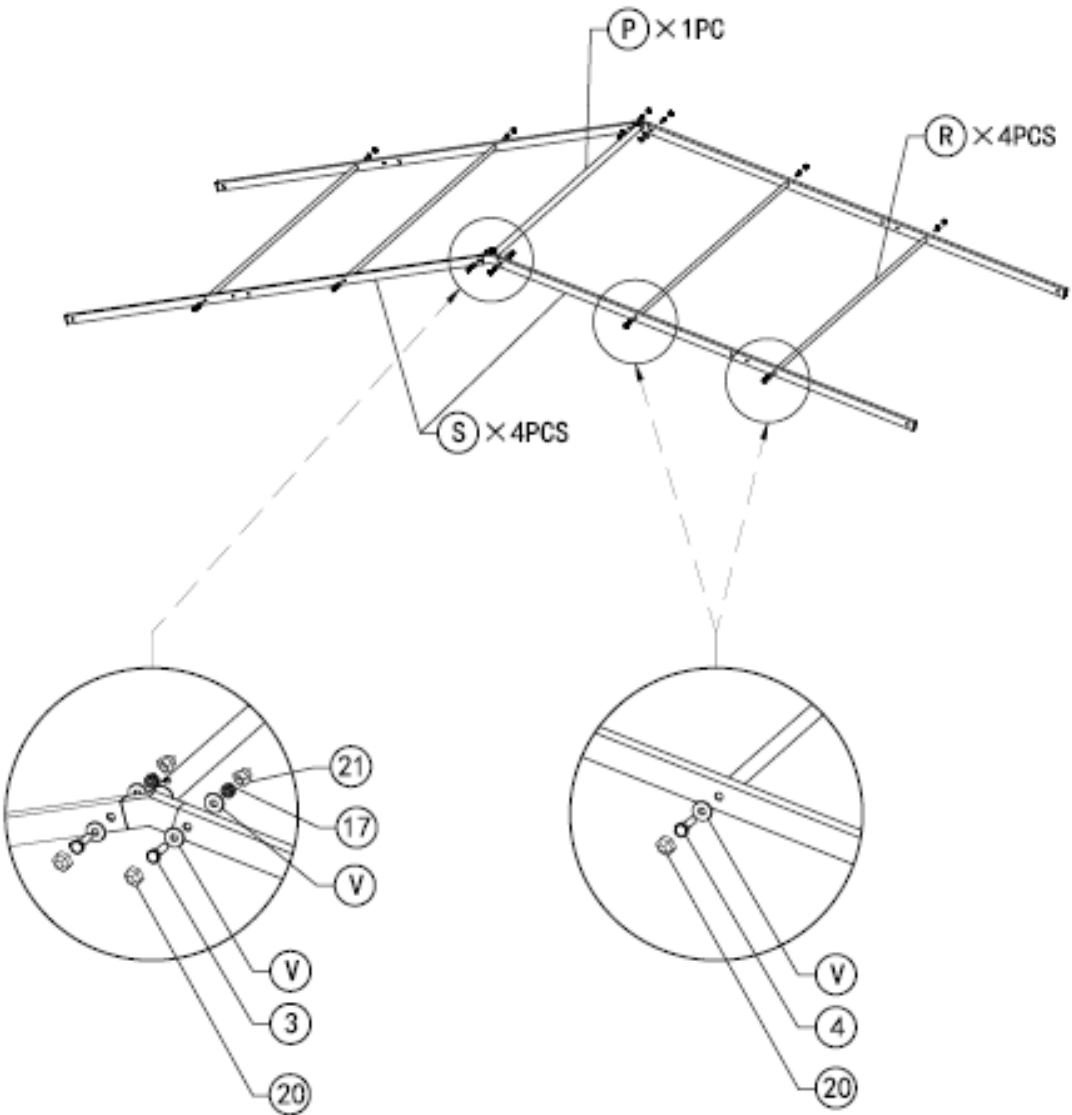
Step 5



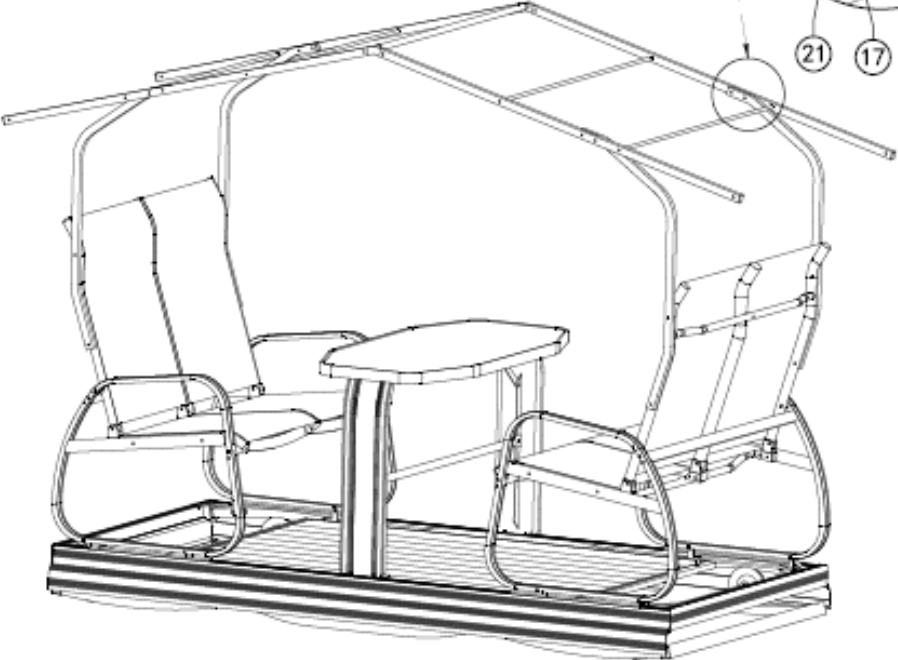
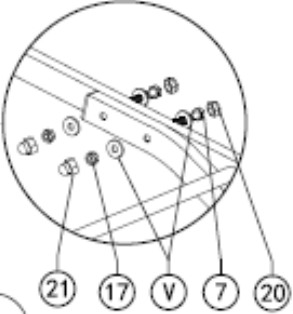
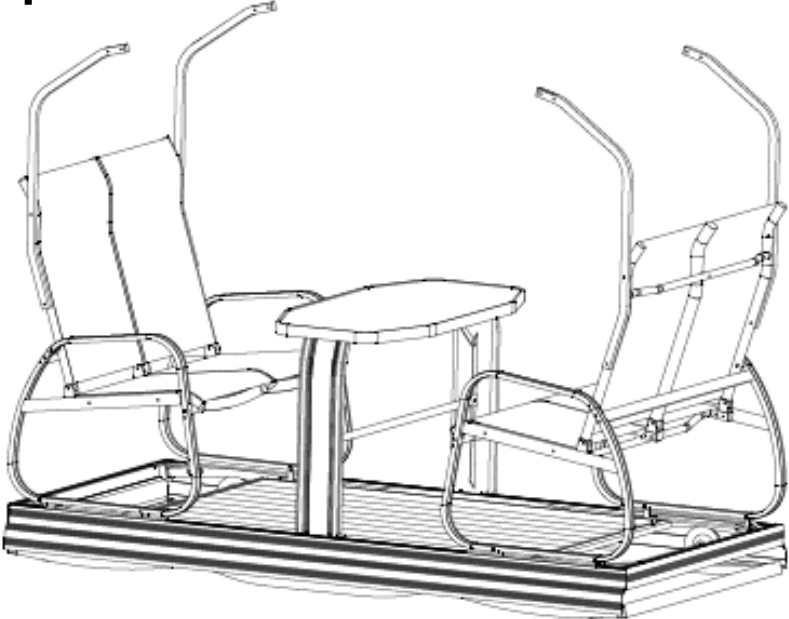
Step 6



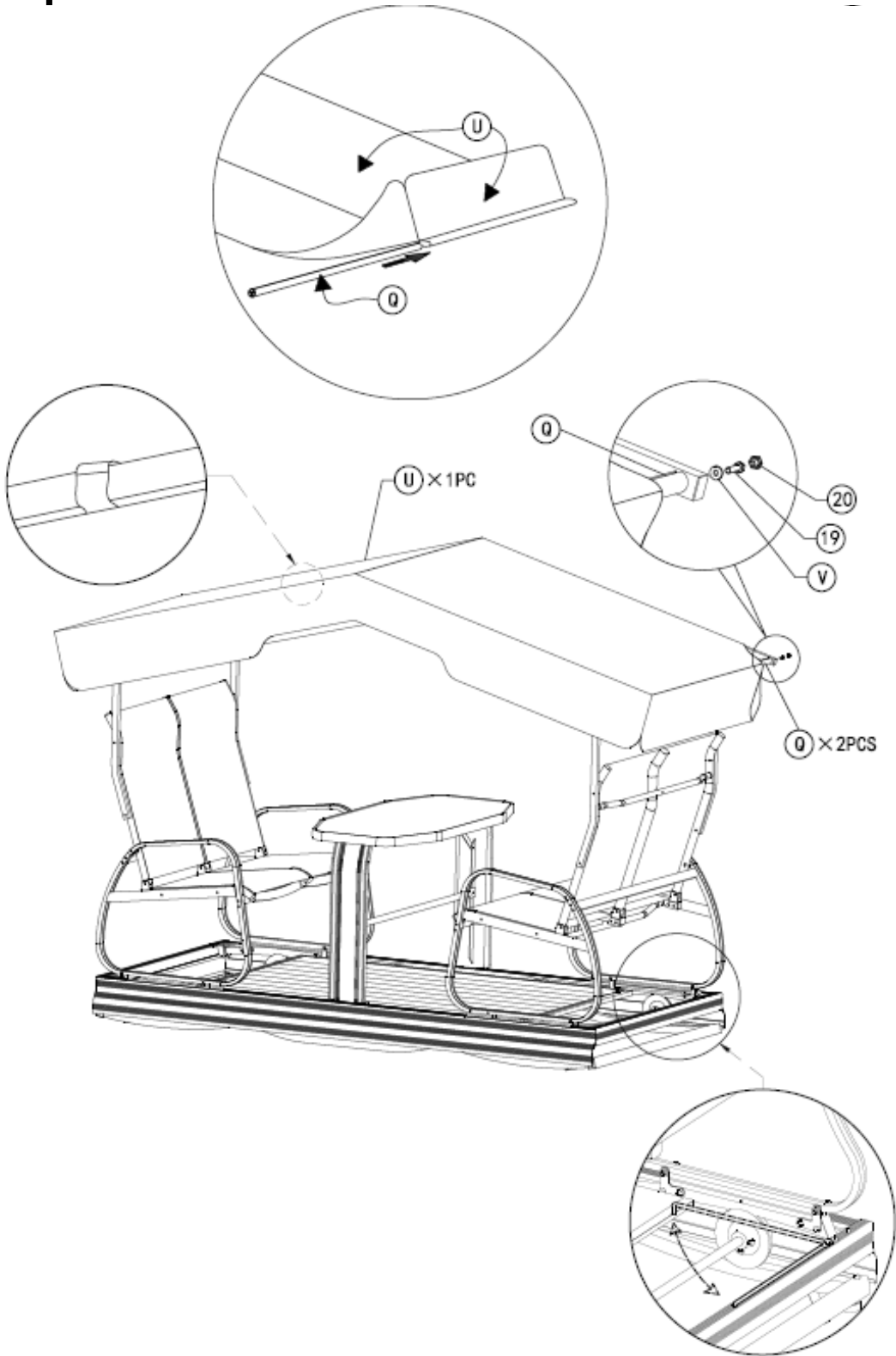
Step 7



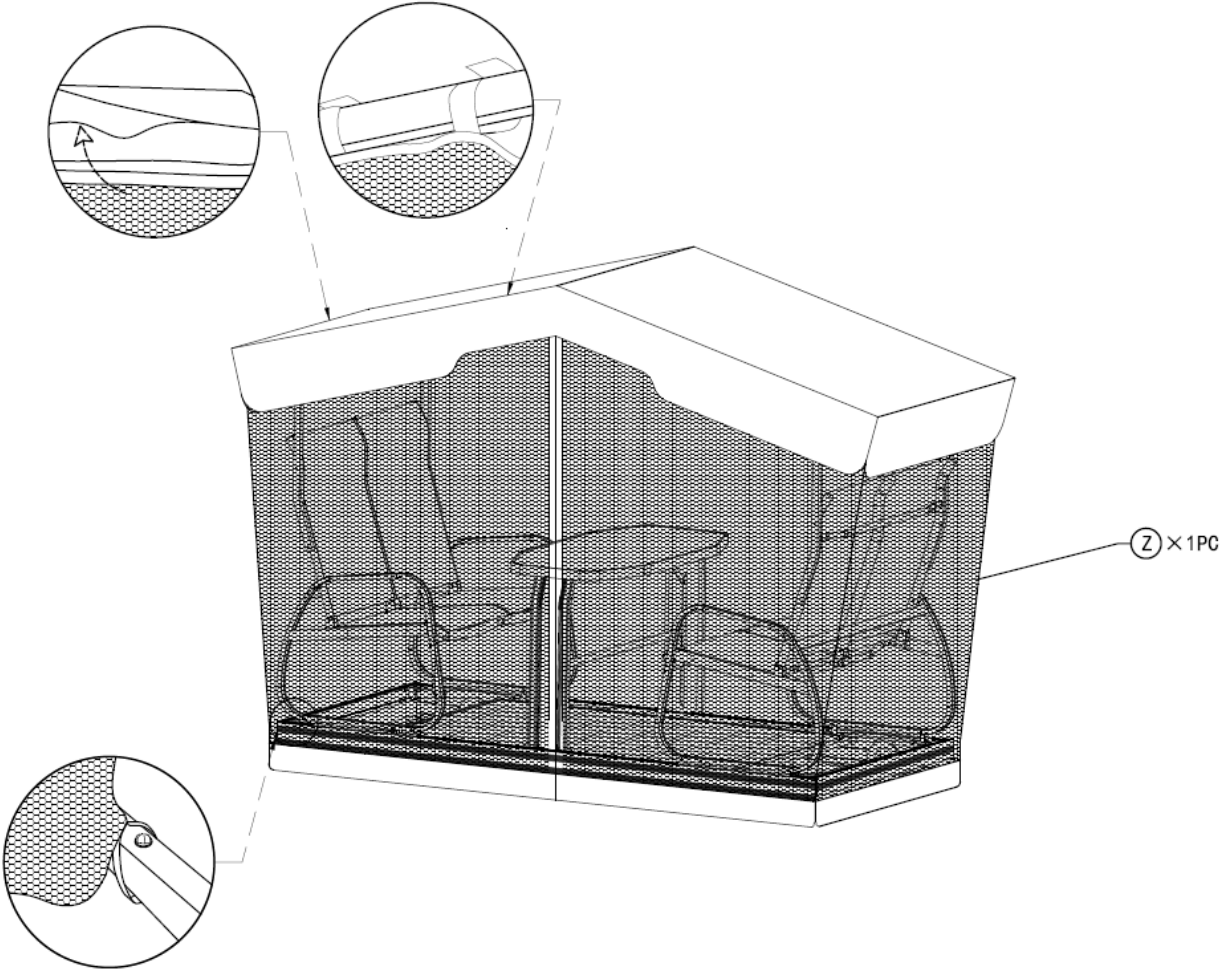
Step 8



Step 9



Step 10



FORUM

THANK YOU FOR YOUR PURCHASE!

*We are pleased you have chosen our product for your
outdoor furnishings.*

*We hope that you enjoy this product which was designed
with quality, style, and comfort in mind.*

*From our team to yours, thank you for letting us be part
of your outdoor lifestyle.*

FORUM OUTDOOR LIVING

