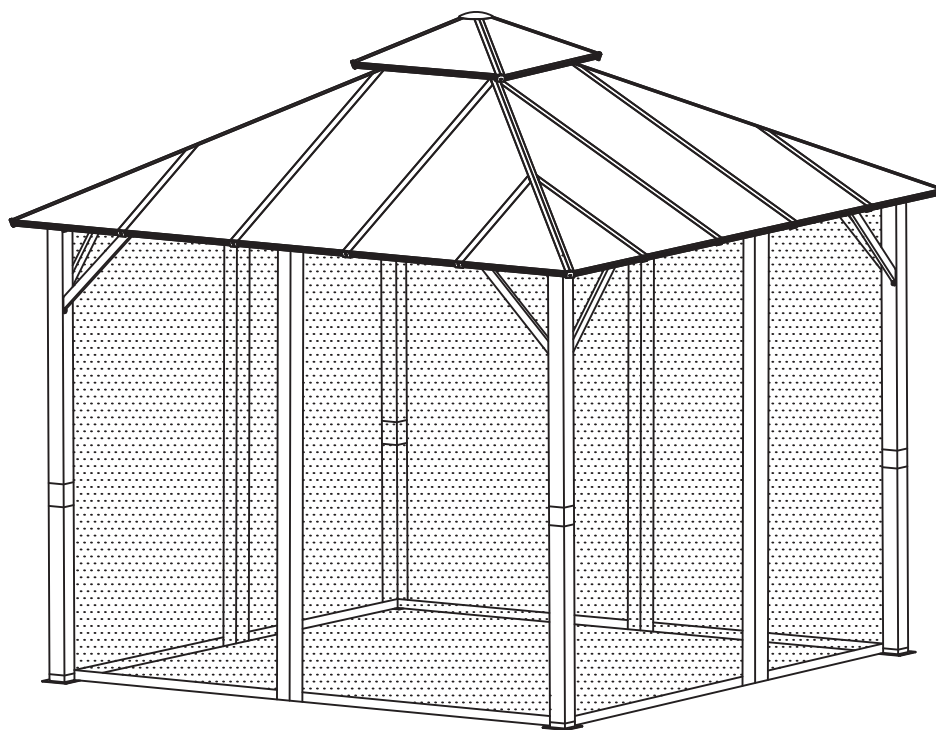


# **ASSEMBLE INSTRUCTION**

## **10FT X 10FT ALUM DOUBLE ROOF GAZEBO**



**Any questions on assembly or parts,  
please contact: [customerservice@e2e-corp.com](mailto:customerservice@e2e-corp.com)**

---

## Safety Information



**WARNING:** Keep all flame and heat sources away from this tent fabric. This tent is made with fabric that meets CPAI-84 specification for flame resistance. It is not fire proof. The fabric will burn if left in continuous contact with any flame source. The application of any foreign substance to the tent fabric may render the flame-resistance properties ineffective.



**WARNING:** When assembling and using this product, basic safety precautions must always be followed to reduce the risk of personal injury and damage to product or surroundings.



**WARNING:** This gazebo is NOT a permanent structure and is designed for sunshade and privacy only. The gazebo should only be used in ideal weather conditions. You MUST completely disassemble the gazebo prior to any extreme weather such as heavy thunder storms, hurricanes and/or ice/hail storms. Failure to do so may result in structural or property damage.



**CAUTION:** Always install the gazebo on level ground utilizing the ground stakes provided for stability. It is not recommended to permanently anchor this gazebo to a hard surface such as a wood deck or concrete floor.



**CAUTION:** Gazebo roof is weather resistant but may leak during precipitation. It is recommended to remove the roof boards if expecting ice or hail storms.



**CAUTION:** Keep all children and pets away from assembly area. Begin assembly not less than 6 feet from any obstruction such as fence, garage, house, overhanging branches, clothes line or electrical wires. Some parts may contain sharp edges, wear protective gloves if necessary.

## Care Instructions

Before using, wipe with a clean, dry cloth. Do not use bleach or solvents. Treat the frame with liquid wax for maximum protection against UV light and salty, damp air. Clean the roof panels periodically with a mild soap and water. Do not use harsh chemical cleaners as this will damage the panel finish. Please properly tighten all hardware and perform periodic inspections during usage for cracked welds or loose nuts or bolts.

# Pre-Assembly

## PLANNING ASSEMBLY

It will take at least two people about 90 minutes to complete the assembly process.

A rubber mallet and a free standing ladder are needed during the process.

**IMPORTANT: Please count the number for each part before assembly.**



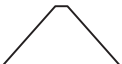

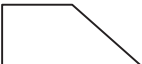
## PART LIST


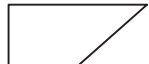
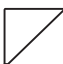
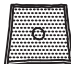



NOTE: Parts not shown to actual size.

ITEM	DESCRIPTION	QTY.	ILLUSTRATION
A	Right Cross Beam	4	
B	Left Cross Beam	4	
C	Netting Rail	8	
D	Corner Post	4	
E	Corner Roof Tube	4	
F	Roof Sheet rail	4	
G	Roof Sheet rail	4	
H	Roof Sheet rail	4	
I	Roof Sheet rail	4	
J	Corner Roof Tube	4	
K	Roof Rim	4	
L	Small Support Crossbar With Hook & Loop	4	
M	Roof Rim	20	
N	Small Support Crossbar	12	

# Pre-Assembly

ITEM	DESCRIPTION	QTY.	ILLUSTRATION
O	U-Shaped Connector	4	
Q	Support Arm	8	
Y	Roof Sheet	4	
Z	Roof Sheet	4	
AA	Roof Sheet	4	






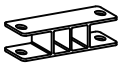



ITEM	DESCRIPTION	QTY.	ILLUSTRATION
BB	Roof Sheet	4	
CC	Roof Sheet	4	
DD	Roof Sheet	4	
EE	Roof Mosquito Net	1	
FF	Mosquito Net	4	









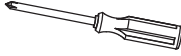
**Important: Do not remove the protective film from the roof sheets until you are ready to attach them to the frame in Step 13 & 18. The surface with protective film is the outer side.**

## HARDWARE LIST



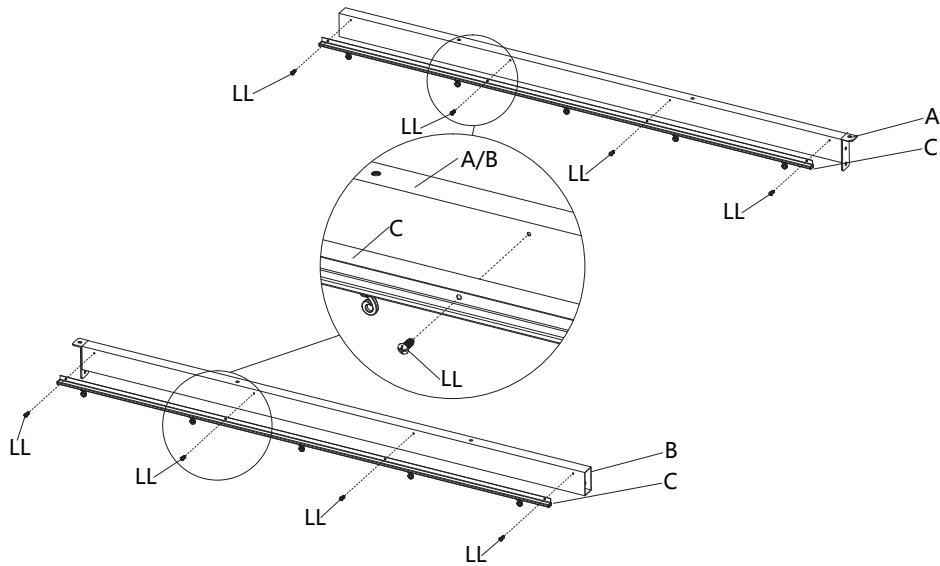
NOTE: Hardware not shown to actual size.

ITEM	DESCRIPTION	QTY.	ILLUSTRATION
P	U-Bracket	16	
R	Roof Hub	2	
S	Roof Hub Cover	1	
T	Hook	1	
U	Roof Spacer Bracket	1	
V	Roof Spacer Bracket	4	
W	Washer Plate	8	
X	Washer Plate	8	
GG	Corner End Cover	8	

ITEM	DESCRIPTION	QTY.	ILLUSTRATION
HH	Side End Cover	16	
II	Bolt (M6x15)	96	
JJ	Bolt (M6x30) and nut	28	
KK	Self-tapping screw (M6x20)	24	
LL	Self-tapping screw (M4x7)	32	
MM	Ground stake	4	
NN	Wrench	1	
OO	Wrench	1	
PP	Philips screw driver	1	

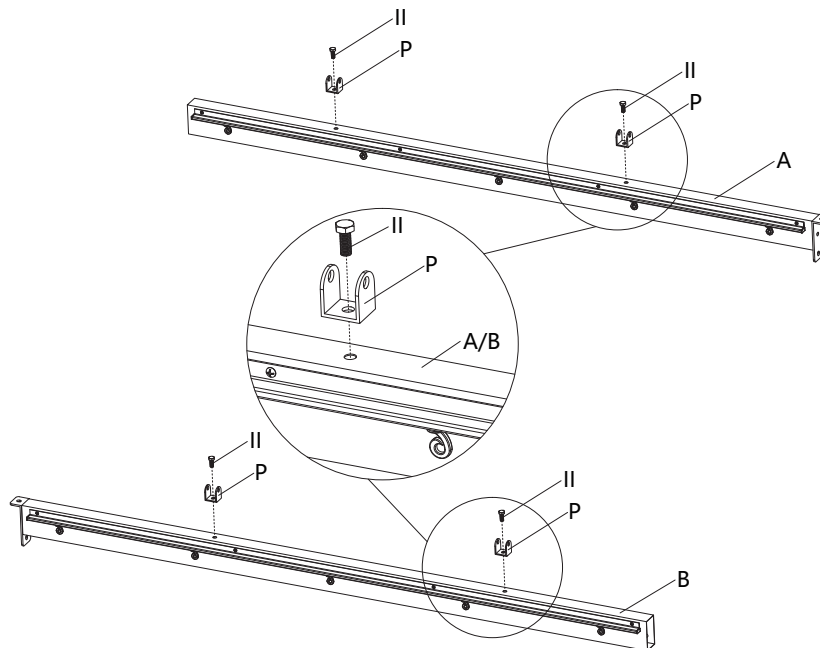
# Assembly

## 1. Attaching netting rails



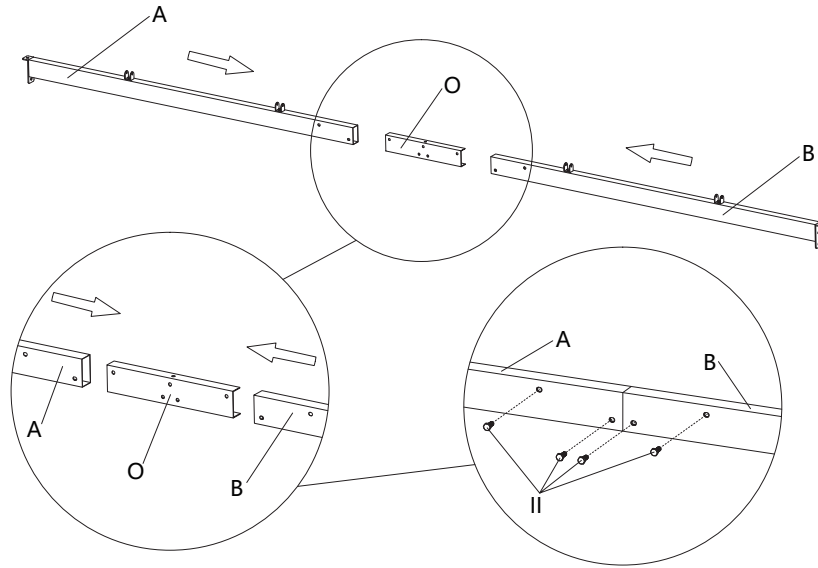
Attach one netting rail (C) to each cross beam (A) & (B) with self-tapping screws (LL) using Philips screw driver (PP). Do not fully tighten all the self-tapping screws (LL) until the end of this step.

## 2. Assembling cross beams



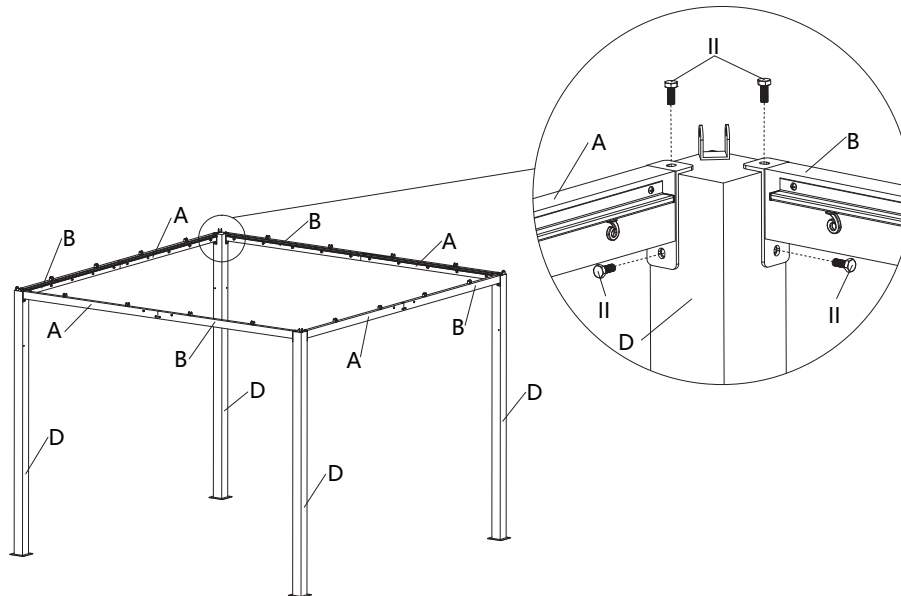
Attach two U-brackets (P) to the top of each cross beam (A) & (B) with bolts (II) using wrench (NN).

## 3. Assembling cross beams



Plug U-shaped connector (O) into each cross beam (B), using bolts (II) loosely secure them together until the end of this step. Repeat this for cross beam (A) until complete cross beams (A) & (B) are formed. Fully tighten all the bolts (II).

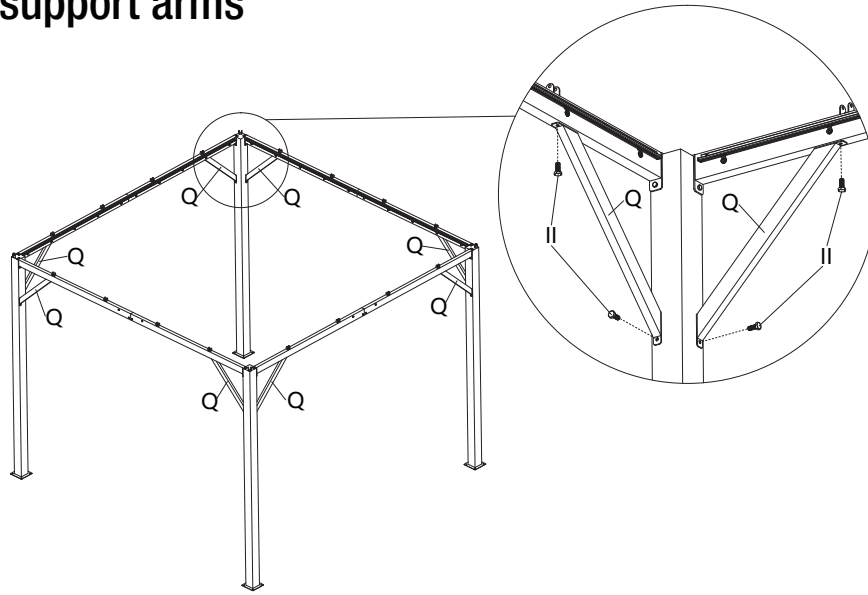
## 4. Erecting the main frame



Stand the corner post (D) up. Attach the B side of the cross beam to the outside right corner of each corner post (D) and attach the A side of the cross beam to the outside left corner of each corner post (D) with bolts (II) using wrench (NN).

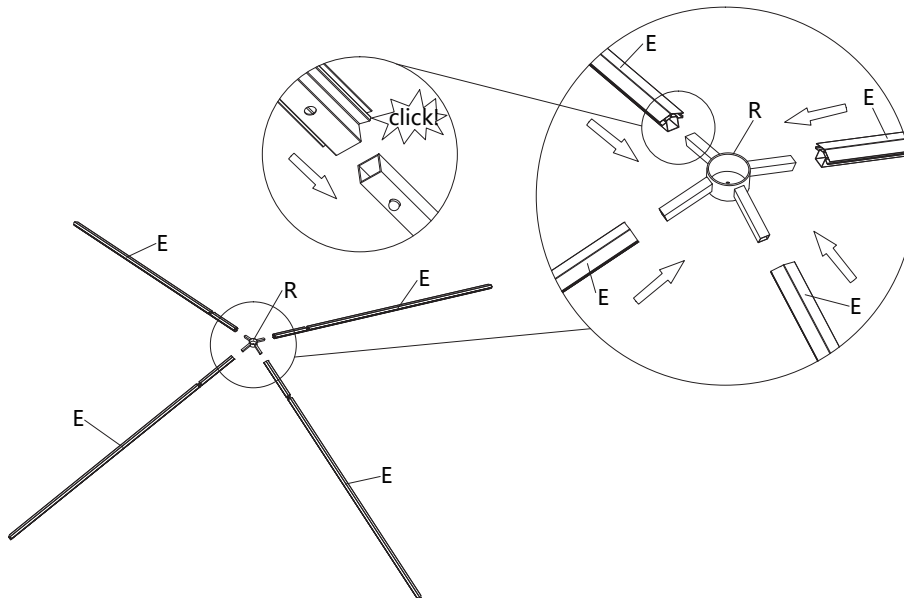
# Assembly

## 5. Attaching support arms



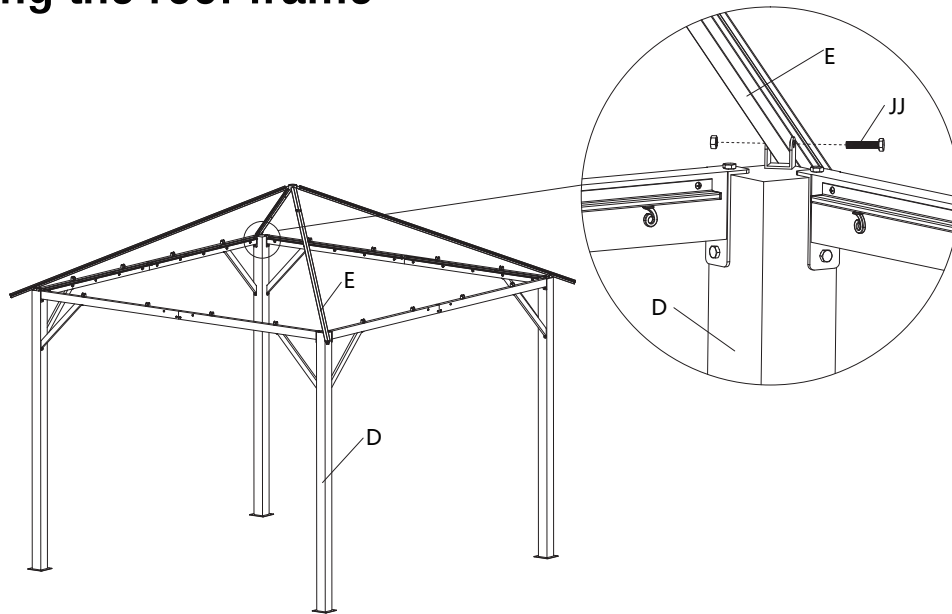
Adjust corner post (D) upright. Attach support arms (Q) to cross beams (A) / (B) and corner posts (D) with bolts (II) using wrench (NN). Do not fully tighten all the bolts (II) until the end of this step.

## 6. Assembling the roof frame



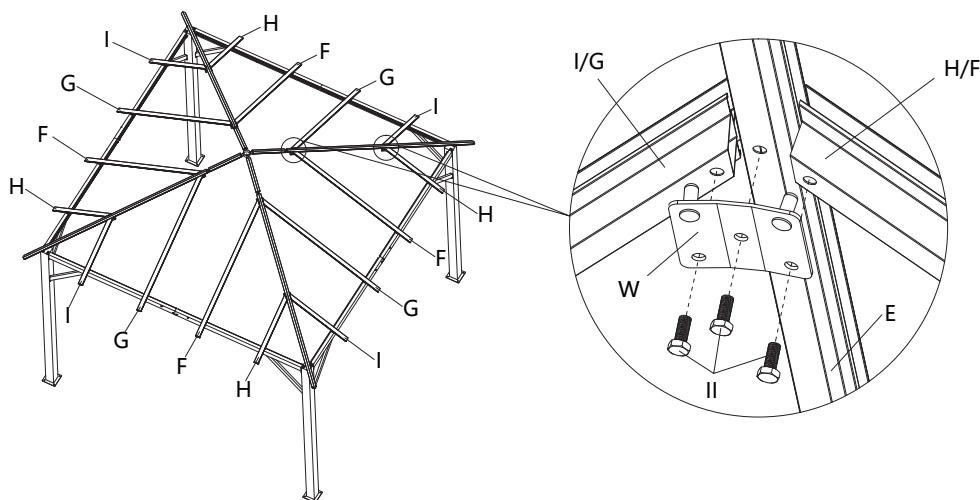
Snap one corner roof tube (E) into each receiver of the roof hub (R) until you hear a click.

## 7. Attaching the roof frame



Attach each corner roof tube (E) onto the bracket at the top of each corner post (D) with bolts and nuts (JJ) using wrench (NN).

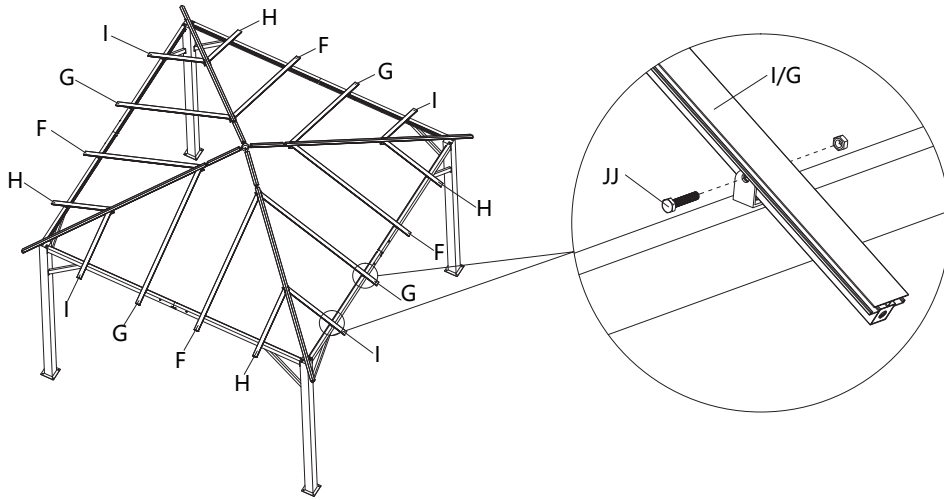
## 8. Attaching the roof sheet rails (F,G,H,I)



Attach roof sheet rails (I) and (H) onto the corner roof tube (E) with washer plates (W) and bolts (II) using wrench (NN). Do not fully tighten bolts until the end of step 20. Follow the above procedure to attach the roof sheet rails (G) and (F) onto the frame.



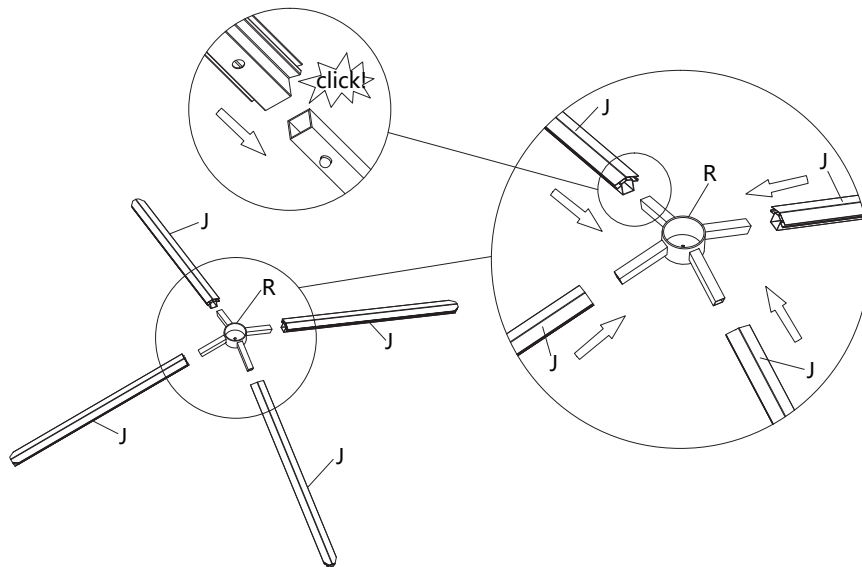
## 9. Attaching roof sheet rails (F,G,H,I)



Attach roof sheet rails (I) and (H) onto the brackets on top of cross beams (A) / (B) respectively with bolts and nuts (JJ) using wrench (NN) and (OO).

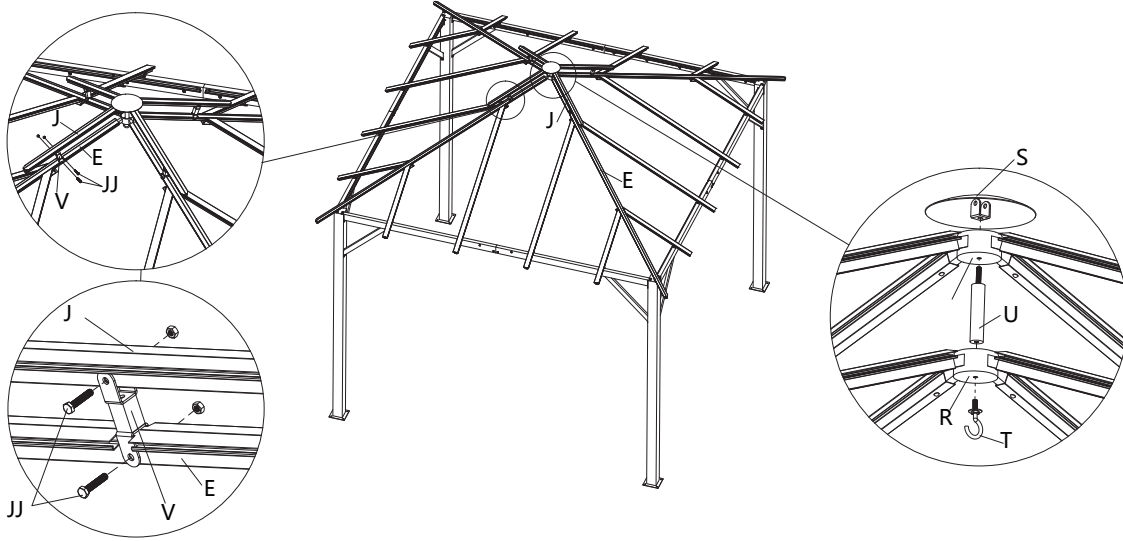
Follow the above procedure to attach the roof sheet rails (G) and (F) onto the frame.

## 10. Assembling the small roof frame



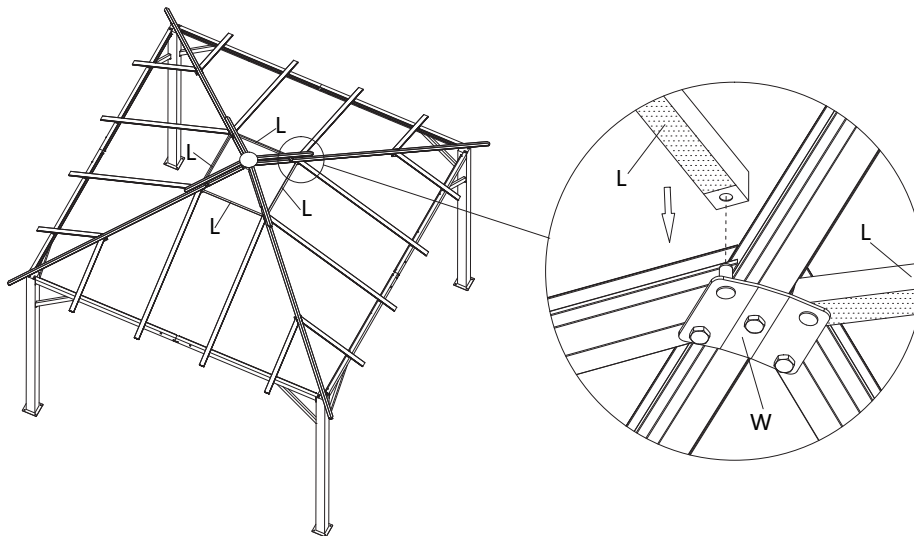
Snap one corner roof tube (J) into each receiver of the roof hub (R) until you hear a click.

## 11. Attaching the small roof frame



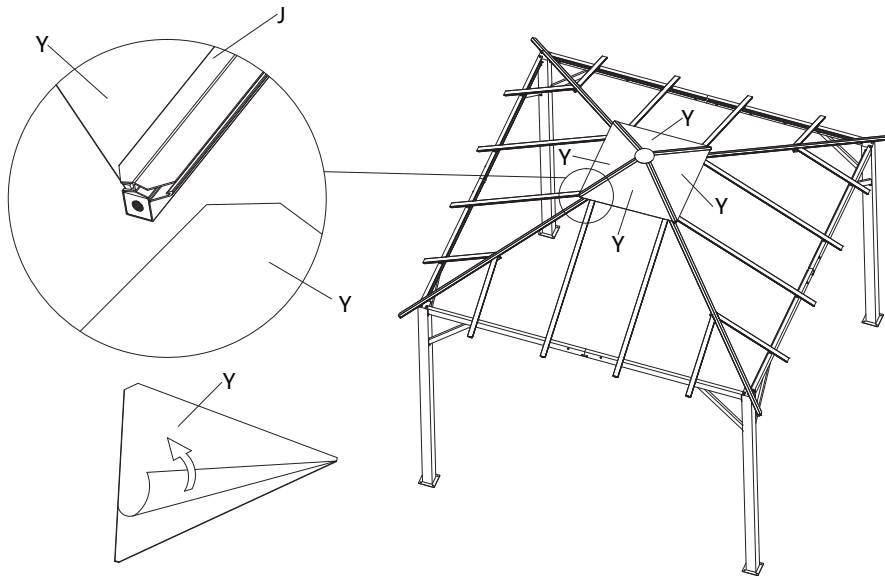
Fix the roof spacer brackets (U) under this last assembly by covering and screwing the roof hub cover (S) on. Lay down this assembly over the first roof hub (R) fitted with corner roof tube (E). Fix by using the hook (T) as shown. Fix other ends of corner roof tube (J) to the corner roof tube (E) by using the roof spacer brackets (V) and bolts and nuts (JJ) using wrench (NN).

## 12. Insert small support crossbar



Insert small support crossbar with hook & loop (L) on pins of washer plates (W).

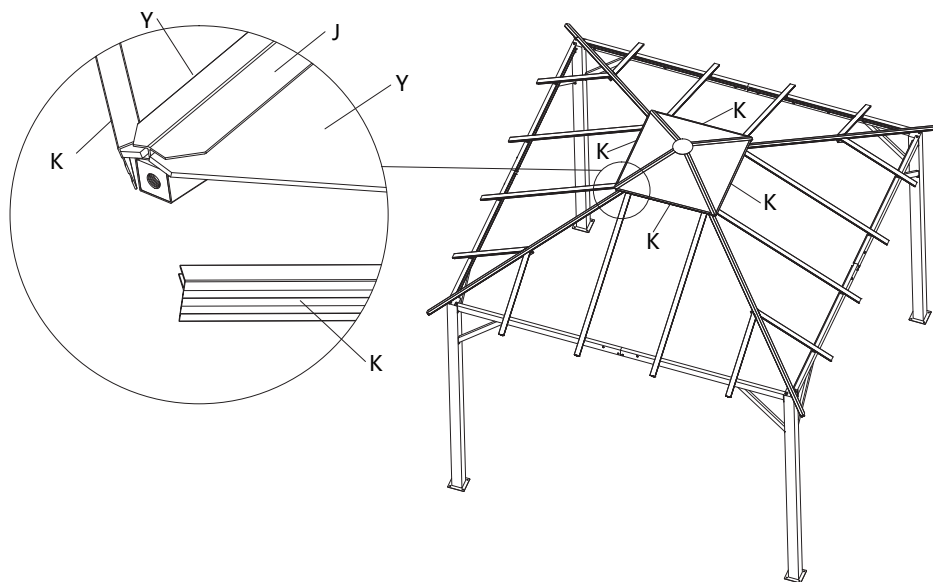
## 13. Insert roof sheet for small roof



Insert one piece of roof sheet (Y) into the groove of corner roof tube (J).

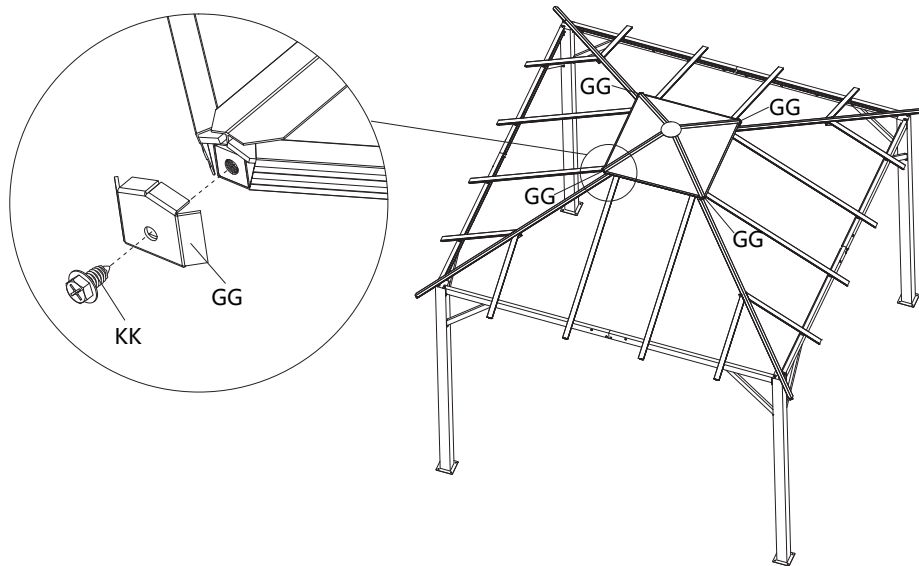
**IMPOTANT:** Before insert next roof sheet (Y) you should finish till the step 15. The roof sheet should insert one by one.

## 14. Insert roof rim for small roof



As illustrated, insert one piece of roof rim (K) at the end of last assembly roof sheet (Y) of small roof.

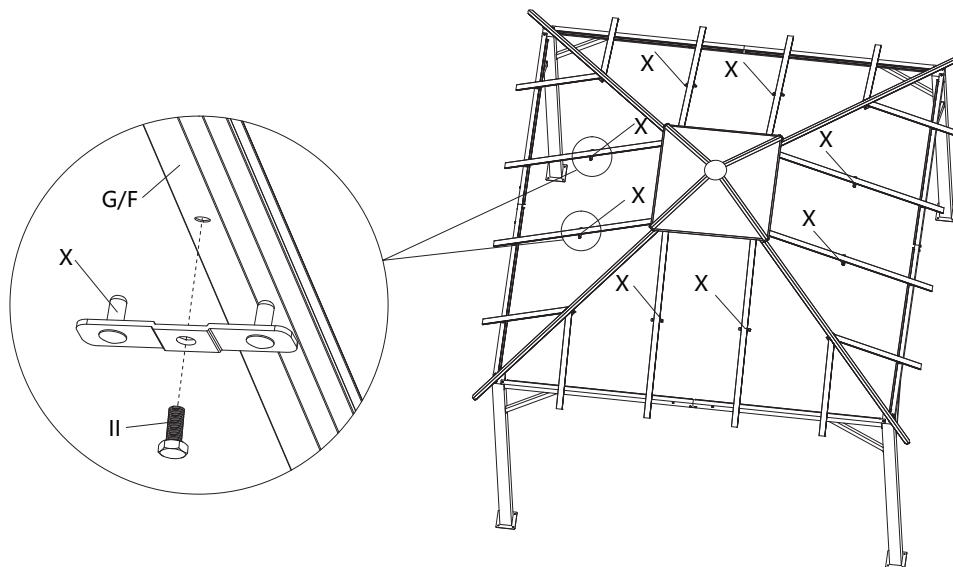
## 15. Attaching end cover for small roof



Secure last assembly roof sheet (Y) by using corner end cover (GG) with self-tapping screw (KK). In order not to damage inserts, do not over tighten the screws.

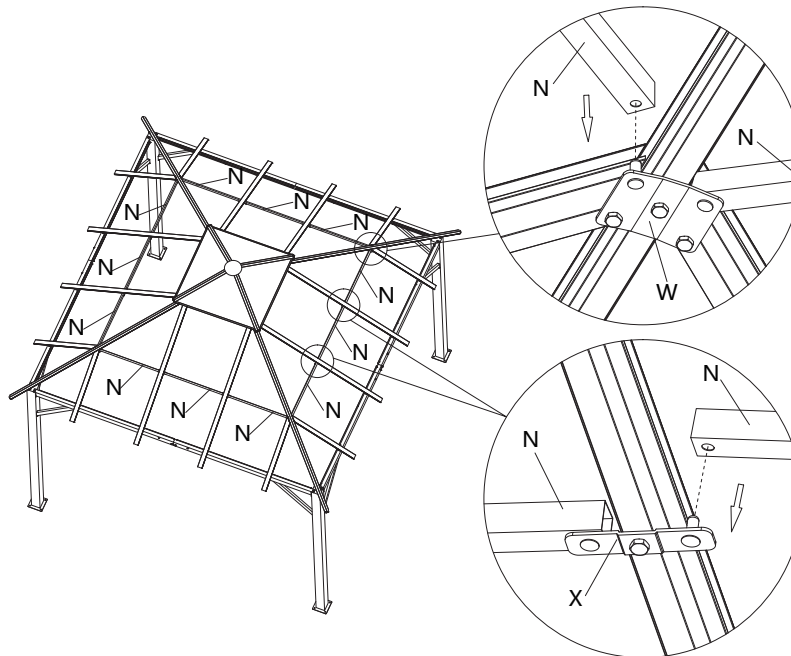
Repeat step 13 to step 15 to finish insert all four roof sheets (Y).

## 16. Install washer plate



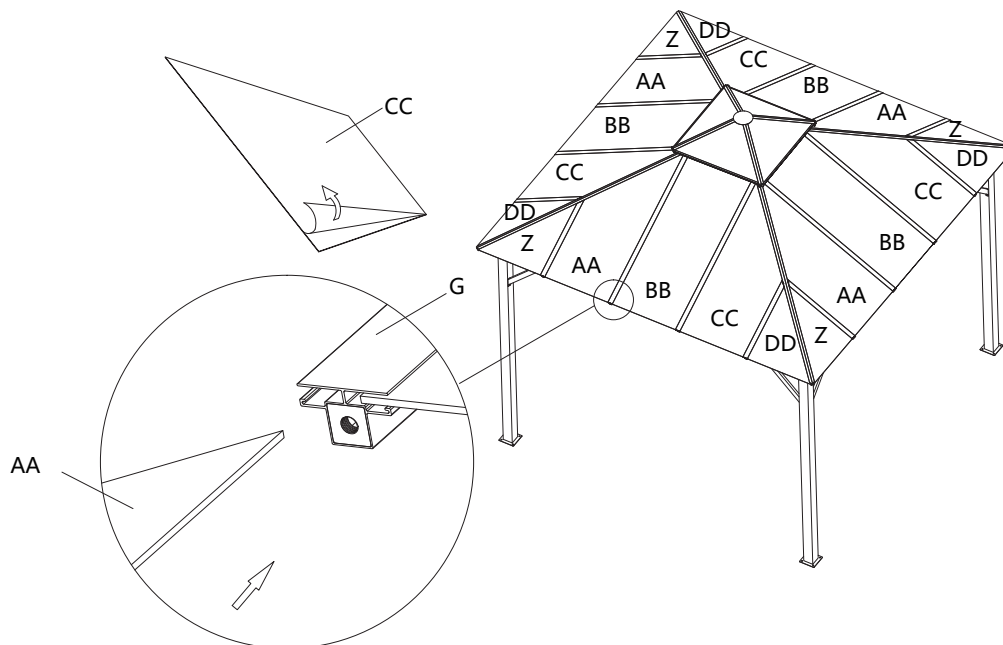
As illustrated, install washer plate (X) to roof sheet rail (G) & (F) by using bolts (II).

## 17. Attaching small support crossbars



Insert small support crossbars (N) on pins of washer plate (X) and (W) as shown.

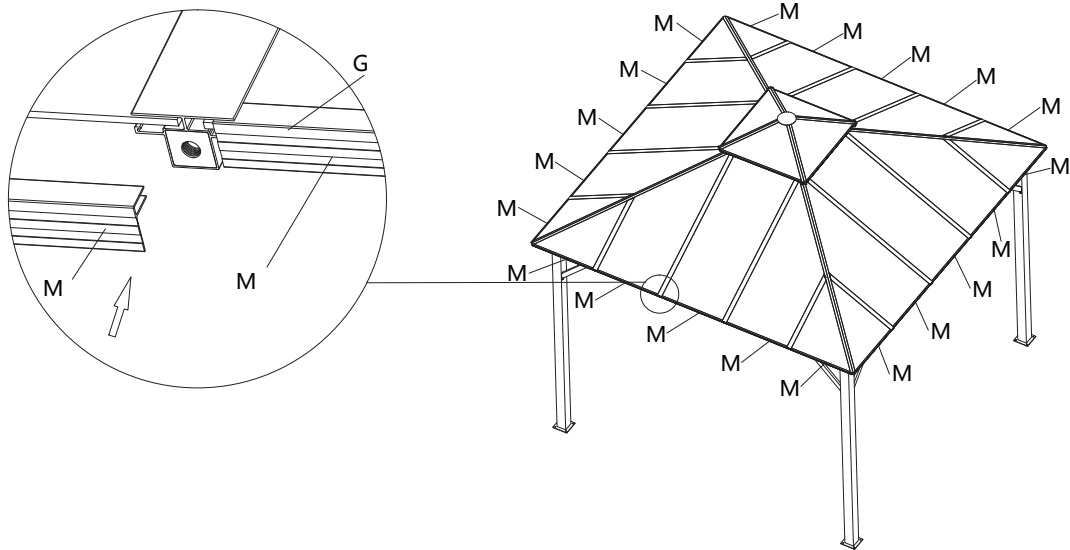
## 18. Attaching roof sheets



Insert one piece of roof sheet (Z) into the groove of roof tubes as shown.

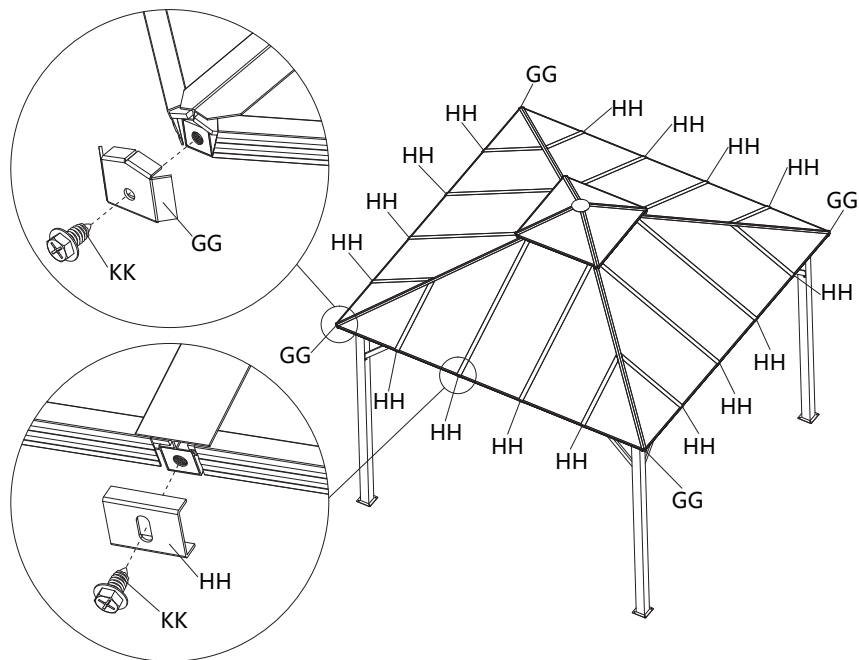
**IMPOTANT:** Before insert next roof sheet (AA) you should finish till the step 20. The roof sheet should insert one by one. Suggest finish insert one side and then next side

## 19. Attaching roof rim



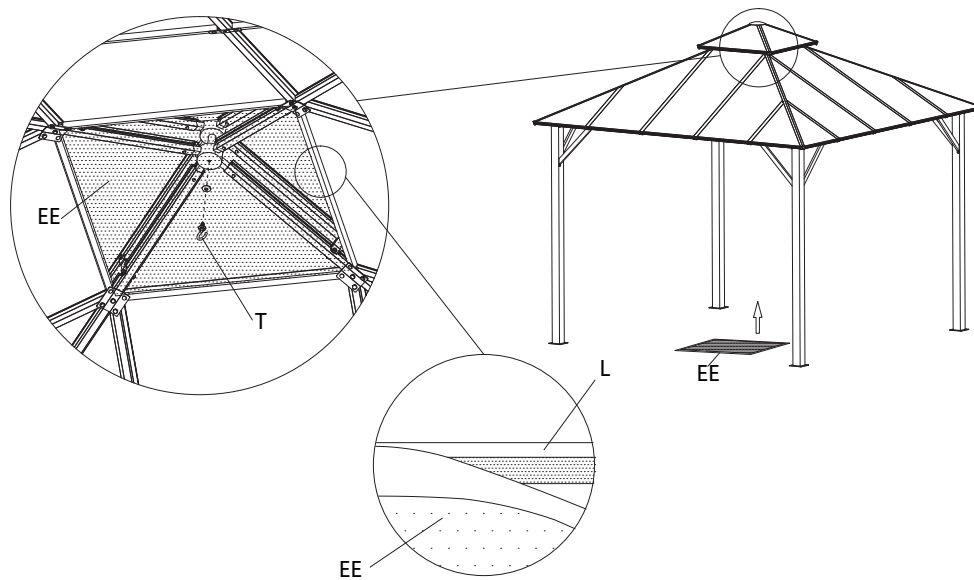
As shown, insert one piece of roof rim (M) at the end of last assembly roof sheet rail.

## 20. Attaching end cover for big roof



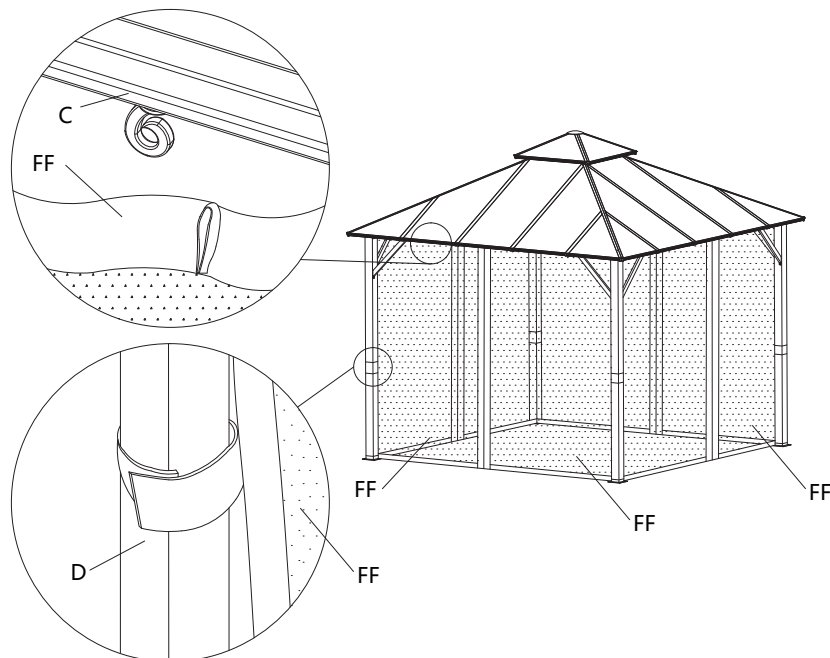
Secure last assembly roof sheet by using corner end cover (GG) and side end cover (HH) with self-tapping screw (KK). In order not to damage inserts, do not over tighten the screws.  
Repeat step 18 to step 20 to finish insert all roof sheets (Z) (AA) (BB) (CC) (DD).

## 21. Assembling roof mosquito net



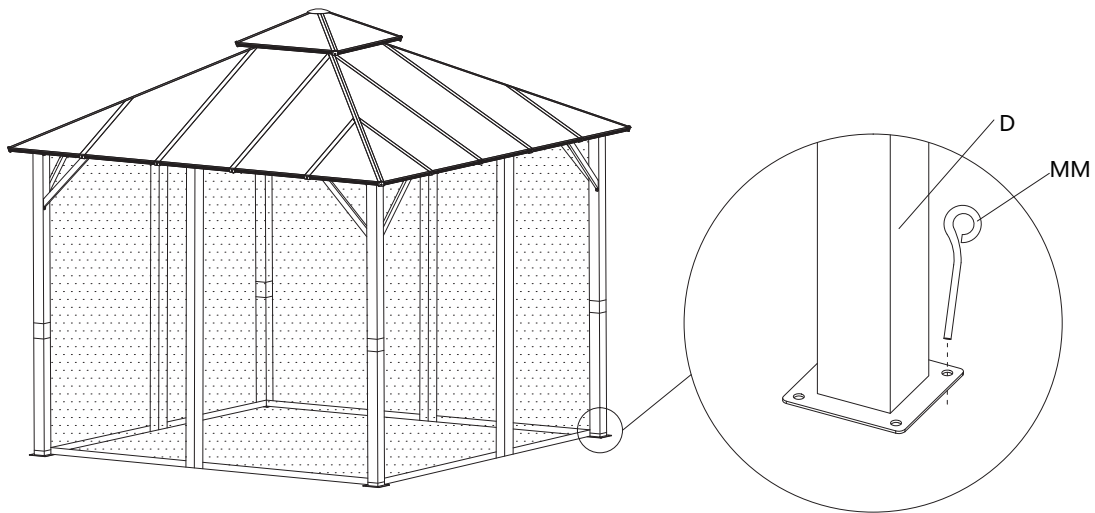
Loosen the hook (T). Fix the roof mosquito net (EE) to the small roof. Tighten the hook (T) through the buttonhole on the roof mosquito net (EE).

## 22. Assembling mosquito net



Hang up the mosquito net (FF) into the net hooks.

## 23. Fix ground stakes



Use the ground stakes (MM) for ground fixing. Insert the ground stake (MM) into any of the four holes at the bottom of the corner post (D). One corner post (D) one ground stake (MM).